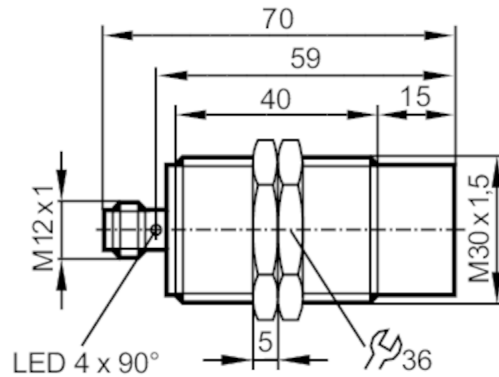




Inductive sensor

IIC022-ASKG/2LED/V4A/US-104



Product characteristics

Electrical design		PNP/NPN
Output function		normally open
Sensing range	[mm]	22
Housing		Threaded type
Dimensions	[mm]	M30 x 1.5 / L = 70

Application

System		gold-plated contacts; Increased sensing range; optical setting aid
Application		Use in hygienic areas / regular cleaning processes

Electrical data

Operating voltage	[V]	10...30 DC
Current consumption	[mA]	< 15
Protection class		II
Reverse polarity protection		yes

Outputs

Electrical design		PNP/NPN
Output function		normally open
Max. voltage drop switching output DC	[V]	2.5
Minimum load current	[mA]	2; (only in 2-wire operation)
Max. leakage current	[mA]	0.6
Permanent current rating of switching output DC	[mA]	100
Switching frequency DC	[Hz]	100
Short-circuit protection		yes
Type of short-circuit protection		yes (non-latching)
Overload protection		yes

Monitoring range

Sensing range	[mm]	22
Real sensing range Sr	[mm]	22 ± 10 %

IIT202



Inductive sensor

IIC022-ASKG/2LED/V4A/US-104

Operating distance	[mm]	0...17.82
Increased sensing range		yes

Accuracy / deviations		
Correction factor		steel: 1 / stainless steel: 0.7 / brass: 0.5 / aluminum: 0.4 / copper: 0.3
Hysteresis	[% of Sr]	1...20
Switch-point drift	[% of Sr]	-10...10

Operating conditions		
Ambient temperature	[°C]	0...100
Protection		IP 68; IP 69K

Tests / approvals		
EMC	EN 61000-4-2 ESD	4 kV CD / 8 kV AD
	EN 61000-4-3 HF radiated	10 V/m
	EN 61000-4-4 Burst	2 kV
	EN 61000-4-5 Surge	0,5 kV mains line to line
	EN 61000-4-6 HF conducted	10 V
	EN 55011	class B
MTTF	[years]	1058
UL approval	Ta	0...40 °C
	Enclosure type	Type 1
	voltage supply	Limited Voltage/Current
	UL approval number	A039
	File number UL	E174191

Mechanical data		
Weight	[g]	121.5
Housing		Threaded type
Mounting		non-flush mountable
Dimensions	[mm]	M30 x 1.5 / L = 70
Thread designation		M30 x 1.5
Material		housing: stainless steel (1.4404 / 316L); sensing face: PEEK natural; LED window: PEI; lock nuts: stainless steel (1.4404 / 316L)
Tightening torque	[Nm]	80

Displays / operating elements		
Display	Switching status	4 x 90° LED, yellow
	Setting aid	1 x LED, red
Optical setting aid		yes

Accessories		
Items supplied		lock nuts: 2

Remarks		
Remarks		suitable for PLC type 1 according to IEC 61131-2
Pack quantity		1 pcs.

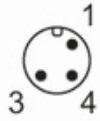


Inductive sensor

IIC022-ASKG/2LED/V4A/US-104

Electrical connection - plug

Connector: 1 x M12; coding: A; Contacts: gold-plated



Connection

