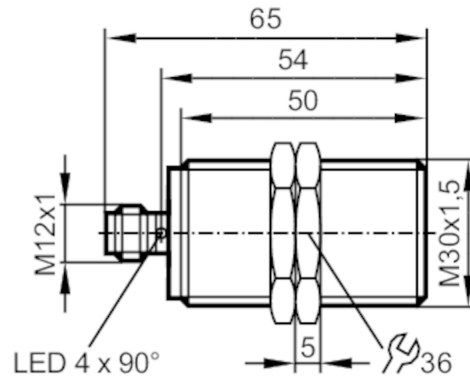


IIC224



Inductive full-metal sensor

IIC3010-BPKG/AM/US-104



Product characteristics

Electrical design		PNP
Output function		normally open
Sensing range	[mm]	10
Housing		Threaded type
Dimensions	[mm]	M30 x 1.5 / L = 65

Application

System	gold-plated contacts; Full-metal housing	
Application	Oils and coolants	
Pressure rating	100 bar	10 MPa
Note on pressure rating	sensing face	

Electrical data

Operating voltage	[V]	10...30 DC
Current consumption	[mA]	< 20
Protection class		III
Reverse polarity protection		yes

Outputs

Electrical design		PNP
Output function		normally open
Max. voltage drop switching output DC	[V]	2.5
Permanent current rating of switching output DC	[mA]	100
Switching frequency DC	[Hz]	50
Short-circuit protection		yes
Type of short-circuit protection		yes (non-latching)
Overload protection		yes

Monitoring range


Sensing range	[mm]	10
Operating distance	[mm]	0...8.1

IIC224



Inductive full-metal sensor

IIC3010-BPKG/AM/US-104

Accuracy / deviations		
Correction factor	steel: 1 / stainless steel: 0.6 / brass: 0.8 / aluminum: 0.6 / copper: 0.2	
Hysteresis [% of Sr]	1...20	
Operating conditions		
Ambient temperature [°C]	-25...70	
Protection	IP 67; IP 68; ("Coolant")	
Tests / approvals		
EMC	EN 61000-4-2 ESD	4 kV CD / 8 kV AD
	EN 61000-4-3 HF radiated	10 V/m
	EN 61000-4-4 Burst	2 kV
	EN 61000-4-6 HF conducted	10 V
	EN 55011 emission	class B
Impact resistance	1 J	
MTTF [years]	1114	
Embedded software included	no	
UL approval	Ta	-25...70 °C
	Enclosure type	Type 1
	voltage supply	Limited Voltage/Current
	UL approval number	A012
File number UL	E174191	
Mechanical data		
Weight [g]	135	
Housing	Threaded type	
Mounting	flush mountable	
Dimensions [mm]	M30 x 1.5 / L = 65	
Thread designation	M30 x 1.5	
Material	housing: stainless steel (1.4404 / 316L); sensing face: stainless steel (1.4404 / 316L); LED window: PEI; lock nuts: stainless steel (1.4404 / 316L)	
Tightening torque [Nm]	80	
Full-metal housing	yes	
Displays / operating elements		
Display	Switching status	4 x 90° LED, yellow
Accessories		
Items supplied	lock nuts: 2	
Remarks		
Pack quantity	1 pcs.	
Electrical connection - plug		
Connector: 1 x M12; coding: A; Contacts: gold-plated		
		

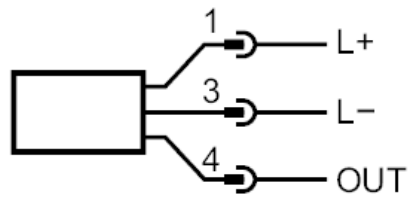
IIC224



Inductive full-metal sensor

IIC3010-BPKG/AM/US-104

Connection



1	L+	
3	L-	
4	OUT	DO (NO)

DO: digital output; NO: normally open