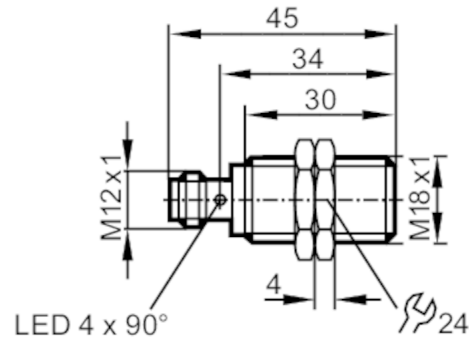


IGT258



Inductive full-metal sensor

IGB3008BBPKG/AM/V4A/US-104



Product characteristics

| | |
|--------------------|------------------|
| Electrical design | PNP |
| Output function | normally open |
| Sensing range [mm] | 8 |
| Housing | Threaded type |
| Dimensions [mm] | M18 x 1 / L = 45 |

Application

| | |
|-------------------------|---|
| System | gold-plated contacts; Increased sensing range; Full-metal housing |
| Application | Use in hygienic areas / regular cleaning processes |
| Pressure rating | 100 bar 10 MPa |
| Note on pressure rating | sensing face |

Electrical data

| | |
|-----------------------------|------------|
| Operating voltage [V] | 10...30 DC |
| Current consumption [mA] | < 10 |
| Protection class | III |
| Reverse polarity protection | yes |

Outputs

| | |
|--|---------------|
| Electrical design | PNP |
| Output function | normally open |
| Max. voltage drop switching output DC [V] | 2.5 |
| Permanent current rating of switching output DC [mA] | 100 |
| Switching frequency DC [Hz] | 100 |
| Short-circuit protection | yes |
| Overload protection | yes |

Monitoring range

| | |
|----------------------------|----------|
| Sensing range [mm] | 8 |
| Real sensing range Sr [mm] | 8 ± 10 % |
| Operating distance [mm] | 0...6.48 |
| Increased sensing range | yes |

IGT258



Inductive full-metal sensor

IGB3008BBPKG/AM/V4A/US-104

| Accuracy / deviations | | |
|-------------------------------|---|--|
| Correction factor | steel: 1 / stainless steel: 0.7 / brass: 0.6 / aluminum: 0.5 / copper: 0.2 | |
| Hysteresis [% of Sr] | 3...15 | |
| Switch-point drift [% of Sr] | -10...10 | |
| Operating conditions | | |
| Ambient temperature [°C] | 0...100 | |
| Protection | IP 65; IP 66; IP 67; IP 68; IP 69K | |
| Tests / approvals | | |
| EMC | EN 61000-4-2 ESD | 4 kV CD / 8 kV AD |
| | EN 61000-4-3 HF radiated | 10 V/m |
| | EN 61000-4-4 Burst | 2 kV |
| | EN 61000-4-6 HF conducted | 10 V |
| | EN 55011 | class B |
| Impact resistance | 1 J | |
| Vibration resistance | EN 60068-2-6 Fc | 20 g (10...3000 Hz) / 50 sweep cycles per frequency; 1 octave per minute in 3 axes |
| Shock resistance | EN 60068-2-27 Ea | 100 g 11 ms half-sine; 3 shocks each in every direction of the 3 coordinate axes |
| Continuous shock resistance | EN 60068-2-27 | 40 g 6 ms; 4000 shocks each in every direction of the 3 coordinate axes |
| Fast temperature changes | EN 60068-2-14 Nc | \$TA_0GradC_TB_100GradC_t1_30_min_t2_10_s_50 |
| MTTF [years] | 1244 | |
| Embedded software included | no | |
| UL approval | Ta | 0...70 °C |
| | Enclosure type | Type 1 |
| | voltage supply | Limited Voltage/Current |
| | UL approval number | A012 |
| | File number UL | E174191 |
| Mechanical data | | |
| Weight [g] | 44.2 | |
| Housing | Threaded type | |
| Mounting | flush mountable | |
| Dimensions [mm] | M18 x 1 / L = 45 | |
| Thread designation | M18 x 1 | |
| Material | stainless steel (1.4404 / 316L); sensing face: stainless steel (1.4404 / 316L); LED window: PEI; lock nuts: stainless steel (1.4404 / 316L) | |
| Tightening torque [Nm] | 50 | |
| Full-metal housing | yes | |
| Displays / operating elements | | |
| Display | Switching status | 4 x LED, yellow |
| Accessories | | |
| Items supplied | lock nuts: 2 | |
| Remarks | | |
| Pack quantity | 1 pcs. | |

IGT258



Inductive full-metal sensor

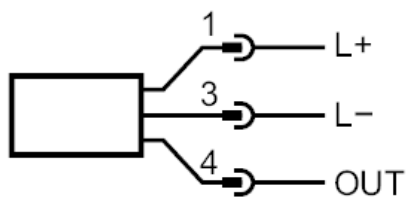
IGB3008BBPKG/AM/V4A/US-104

Electrical connection - plug

Connector: 1 x M12; coding: A; Contacts: gold-plated



Connection



| | | |
|---|-----|---------|
| 1 | L+ | |
| 3 | L- | |
| 4 | OUT | DO (NO) |

DO: digital output; NO: normally open