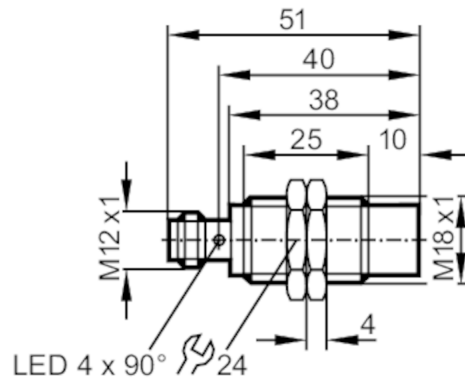


# IGS201



## Inductive sensor

IGB2012-ARKG/M/US-104-DRS



Product characteristics	
Electrical design	PNP/NPN
Output function	normally open
Sensing range [mm]	12
Housing	Threaded type
Dimensions [mm]	M18 x 1 / L = 51
Application	
System	gold-plated contacts; Increased sensing range
Application	Industrial applications
Electrical data	
Operating voltage [V]	10...30 DC
Protection class	II
Reverse polarity protection	yes
Outputs	
Electrical design	PNP/NPN
Output function	normally open
Max. voltage drop switching output DC [V]	2.5
Minimum load current [mA]	2
Max. leakage current [mA]	0.5
Permanent current rating of switching output DC [mA]	100
Switching frequency DC [Hz]	250
Short-circuit protection	yes
Type of short-circuit protection	yes (non-latching)
Overload protection	yes
Monitoring range	
Sensing range [mm]	12
Real sensing range Sr [mm]	12 ± 10 %

# IGS201



## Inductive sensor

IGB2012-ARKG/M/US-104-DRS

Operating distance	[mm]	0...9.7
Increased sensing range		yes

<b>Accuracy / deviations</b>		
Correction factor		steel: 1 / stainless steel: 0.7 / brass: 0.5 / aluminum: 0.4 / copper: 0.3
Hysteresis	[% of Sr]	3...15
Switch-point drift	[% of Sr]	-10...10

<b>Operating conditions</b>		
Ambient temperature	[°C]	-25...70
Protection		IP 67

<b>Tests / approvals</b>		
EMC	EN 61000-4-2 ESD	4 kV CD / 8 kV AD
	EN 61000-4-3 HF radiated	10 V/m
	EN 61000-4-4 Burst	2 kV
	EN 61000-4-6 HF conducted	10 V
	EN 55011	class B
MTTF	[years]	2655
UL approval	Ta	0...40 °C
	Enclosure type	Type 1
	File number UL	E174191

<b>Mechanical data</b>		
Weight	[g]	44.5
Housing		Threaded type
Mounting		non-flush mountable
Dimensions	[mm]	M18 x 1 / L = 51
Thread designation		M18 x 1
Material		brass white bronze coated; sensing face: PBT

<b>Displays / operating elements</b>		
Display	Switching status	4 x 90° LED, yellow

<b>Accessories</b>		
Items supplied		lock nuts: 2

<b>Remarks</b>		
Remarks		For direct replacement of 3-wire PNP sensors In this case pin 3 (grey in the wiring diagram) is not used.
Pack quantity		1 pcs.

### Electrical connection - plug

Connector: 1 x M12; coding: A; Contacts: gold-plated



# IGS201



## Inductive sensor

IGB2012-ARKG/M/US-104-DRS

### Connection

