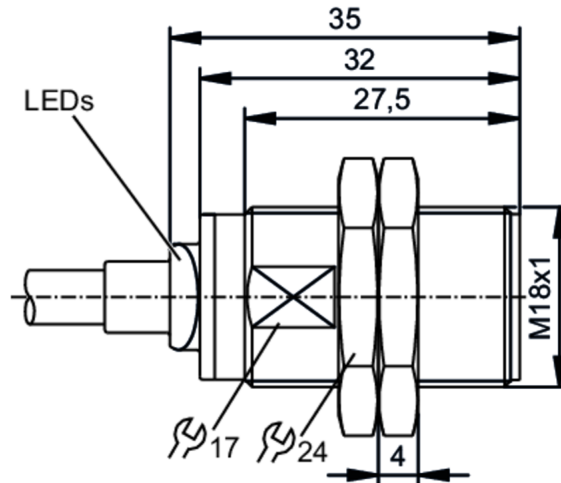


# IGR203



## Inductive full-metal sensor

IGB2006BARKG/AM/SC/0,3M/US/2LE



### Product characteristics

Electrical design		PNP/NPN
Output function		normally open
Sensing range	[mm]	6
Housing		Threaded type
Dimensions	[mm]	M18 x 1 / L = 35

### Application

System		gold-plated contacts; Increased sensing range; Full-metal housing; optical setting aid
Application		Inductive sensors for welding applications
Pressure rating	[bar]	20
Note on pressure rating		sensing face

### Electrical data

Operating voltage	[V]	10...30 DC
Protection class		III
Reverse polarity protection		yes

### Outputs

Electrical design		PNP/NPN
Output function		normally open
Max. voltage drop switching output DC	[V]	3.2
Minimum load current	[mA]	2
Max. leakage current	[mA]	0.6
Permanent current rating of switching output DC	[mA]	100
Switching frequency DC	[Hz]	50
Short-circuit protection		yes
Type of short-circuit protection		yes (non-latching)
Overload protection		yes

# IGR203



## Inductive full-metal sensor

IGB2006BARKG/AM/SC/0,3M/US/2LE

Monitoring range		
Sensing range	[mm]	6
Operating distance	[mm]	0...4.86
Increased sensing range		yes
Accuracy / deviations		
Correction factor		steel: 1 / stainless steel: 0.7 / brass: 0.7 / aluminum: 0.5 / copper: 0.2
Hysteresis	[% of Sr]	1...20
Operating conditions		
Ambient temperature	[°C]	-40...85
Protection		IP 65; IP 66; IP 67; IP 68; IP 69K
Tests / approvals		
EMC	EN 61000-4-2 ESD	4 kV CD / 8 kV AD
	EN 61000-4-3 HF radiated	10 V/m
	EN 61000-4-4 Burst	2 kV
	EN 61000-4-6 HF conducted	10 V
	EN 55011 emission	class B
Impact resistance		1 J
MTTF	[years]	946
UL approval	Ta	-25...70 °C
	Enclosure type	Type 1
	voltage supply	Limited Voltage/Current
	UL approval number	A042
	File number UL	E174191
Mechanical data		
Weight	[g]	67.1
Housing		Threaded type
Mounting		flush mountable
Dimensions	[mm]	M18 x 1 / L = 35
Thread designation		M18 x 1
Material		housing: stainless steel (1.4404 / 316L) weld coated; sensing face: stainless steel (1.4404 / 316L) weld coated; cable plug: PEI; lock nuts: stainless steel (1.4404 / 316L) weld coated
Tightening torque	[Nm]	20
Full-metal housing		yes
Displays / operating elements		
Display	Switching status	1 x LED, green
	Setting aid	1 x LED, red
Optical setting aid		yes
Accessories		
Items supplied		lock nuts: 2
Remarks		
Pack quantity		1 pcs.

# IGR203



## Inductive full-metal sensor

IGB2006BARKG/AM/SC/0,3M/US/2LE

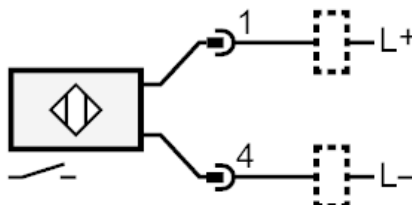
### Electrical connection - plug

Cable: 0.3 m, PVC; 2 x 0.5 mm<sup>2</sup>

Connector: 1 x M12; coding: A; Contacts: gold-plated

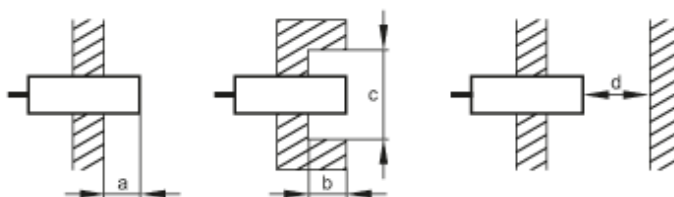


### Connection



### Diagrams and graphs

#### Installation



[mm]	a	b	c (∅)	d
Fe	0	0	-	18
Al	13	20	54	18

