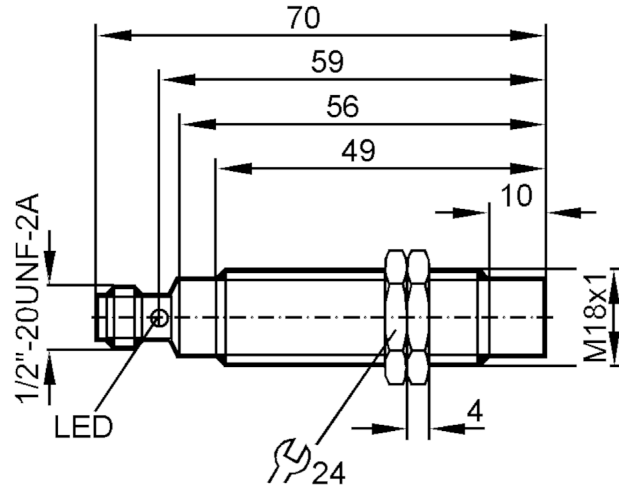




Inductive sensor

IGK2012-ARKA/M/LS-104AK



Product characteristics

Output function		normally open
Sensing range	[mm]	12
Housing		Threaded type
Dimensions	[mm]	M18 x 1 / L = 70

Application

System		gold-plated contacts; Increased sensing range
Application		Oils and coolants

Electrical data

Frequency AC	[Hz]	47...63
Operating voltage	[V]	20...140 AC/DC
Protection class		II
Reverse polarity protection		yes
Max. power-on delay time	[ms]	1000

Outputs

Output function		normally open
Max. voltage drop switching output DC	[V]	5.5
Max. voltage drop switching output AC	[V]	5.5
Minimum load current	[mA]	5
Max. leakage current	[mA]	1
Permanent current rating of switching output AC	[mA]	200

IGC002



Inductive sensor

IGK2012-ARKA/M/LS-104AK

Permanent current rating of switching output DC	[mA]	200
Short-time current rating of switching output	[mA]	1200; (20 ms / 0,5 Hz)
Switching frequency AC	[Hz]	25
Switching frequency DC	[Hz]	400
Short-circuit protection		yes
Type of short-circuit protection		yes (non-latching)
Overload protection		yes

Monitoring range		
Sensing range	[mm]	12
Real sensing range Sr	[mm]	12 ± 10 %
Operating distance	[mm]	0...9.7
Increased sensing range		yes

Accuracy / deviations		
Correction factor		steel: 1 / stainless steel: 0.7 / brass: 0.5 / aluminum: 0.4 / copper: 0.3
Hysteresis	[% of Sr]	3...15
Switch-point drift	[% of Sr]	-10...10

Operating conditions		
Ambient temperature	[°C]	-25...70
Protection		IP 68; ("Coolant")

Tests / approvals		
EMC	EN 61000-4-2 ESD	4 kV CD / 8 kV AD
	EN 61000-4-3 HF radiated	10 V/m
	EN 61000-4-4 Burst	2 kV
	EN 61000-4-6 HF conducted	10 V
	EN 55011	class B
MTTF	[years]	394
UL approval	Ta	0...40 °C
	Enclosure type	Type 1
	File number UL	E174191

Mechanical data		
Weight	[g]	74.4
Housing		Threaded type
Mounting		non-flush mountable
Dimensions	[mm]	M18 x 1 / L = 70
Thread designation		M18 x 1
Material		housing: brass white bronze coated; sensing face: PBT uncolored

Displays / operating elements		
Display	Switching status	4 x 90° LED, yellow

Accessories		
Items supplied		lock nuts: 2

Remarks		
Pack quantity		1 pcs.

IGC002



Inductive sensor

IGK2012-ARKA/M/LS-104AK

Electrical connection - plug

Connector: 1 x 1/2"; coding: C; Contacts: gold-plated

