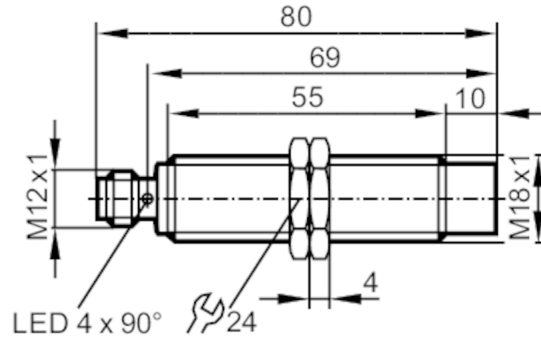


IG5526



Inductive sensor

IGA3008-BPKG/US-104




Product characteristics	
Electrical design	PNP
Output function	normally open
Sensing range [mm]	8
Housing	Threaded type
Dimensions [mm]	M18 x 1 / L = 80
Application	
System	gold-plated contacts
Electrical data	
Operating voltage [V]	10...30 DC
Current consumption [mA]	10; (24 V)
Protection class	II
Reverse polarity protection	yes
Outputs	
Electrical design	PNP
Output function	normally open
Max. voltage drop switching output DC [V]	2.5
Permanent current rating of switching output DC [mA]	200
Switching frequency DC [Hz]	300
Short-circuit protection	yes
Overload protection	yes
Monitoring range	
Sensing range [mm]	8
Real sensing range S_r [mm]	$8 \pm 10 \%$
Operating distance [mm]	0...6.48
Accuracy / deviations	
Correction factor	steel: 1 / stainless steel: 0.7 / brass: 0.5 / aluminum: 0.4 / copper: 0.3
Hysteresis [% of S_r]	3...15
Switch-point drift [% of S_r]	-10...10

IG5526



Inductive sensor

IGA3008-BPKG/US-104

Operating conditions		
Ambient temperature	[°C]	-25...80
Protection		IP 67
Tests / approvals		
EMC	EN 61000-4-2 ESD	4 kV CD / 8 kV AD
	EN 61000-4-3 HF radiated	10 V/m
	EN 61000-4-4 Burst	2 kV
	EN 61000-4-6 HF conducted	10 V
	EN 55011	class B
MTTF	[years]	1853
Embedded software included		no
UL approval	Ta	0...40 °C
	Enclosure type	Type 1
	voltage supply	Limited Voltage/Current
	UL approval number	A069
	File number UL	E174191
Mechanical data		
Weight	[g]	54.7
Housing		Threaded type
Mounting		non-flush mountable
Dimensions	[mm]	M18 x 1 / L = 80
Thread designation		M18 x 1
Material		housing: brass white bronze coated; sensing face: PBT orange; LED window: PEI; lock nuts: brass white bronze coated
Displays / operating elements		
Display	Switching status	4 x 90° LED, yellow
Accessories		
Items supplied		lock nuts: 2
Remarks		
Pack quantity		1 pcs.
Electrical connection - plug		
Connector: 1 x M12; coding: A; Contacts: gold-plated		
		

IG5526



Inductive sensor

IGA3008-BPKG/US-104

Connection

