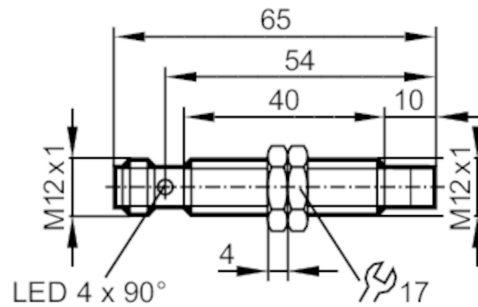


IFW201



Inductive sensor

IFK3008-BPKG/K1/SC/US-104



Product characteristics

Electrical design		PNP
Output function		normally open
Sensing range	[mm]	8
Housing		Threaded type
Dimensions	[mm]	M12 x 1 / L = 65

Application

System		gold-plated contacts; Increased sensing range; correction factor = 1; Magnetic-field immune
Application		Inductive sensors for welding applications
Magnetic-field immune		yes
Max. electromagnetic field immunity	[mT]	300

Electrical data

Operating voltage	[V]	10...30 DC
Current consumption	[mA]	< 20
Protection class		II
Reverse polarity protection		yes

Outputs

Electrical design		PNP
Output function		normally open
Max. voltage drop switching output DC	[V]	2.5
Permanent current rating of switching output DC	[mA]	100
Switching frequency DC	[Hz]	2000
Short-circuit protection		yes
Overload protection		yes

Monitoring range

Sensing range	[mm]	8
Real sensing range Sr	[mm]	8 ± 10 %
Operating distance	[mm]	0...6.5
Increased sensing range		yes

IFW201



Inductive sensor

IFK3008-BPKG/K1/SC/US-104

Accuracy / deviations		
Correction factor	steel: 1 / stainless steel: 1 / brass: 1 / aluminum: 1 / copper: 1	
Hysteresis [% of Sr]	3...15	
Switch-point drift [% of Sr]	-10...10	
Correction factor = 1	yes	
Operating conditions		
Ambient temperature [°C]	-25...70	
Protection	IP 67	
Tests / approvals		
EMC	EN 61000-4-2 ESD	4 kV CD / 8 kV AD
	EN 61000-4-3 HF radiated	10 V/m
	EN 61000-4-4 Burst	2 kV
	EN 61000-4-6 HF conducted	10 V
	EN 55011	class B
MTTF [years]	661	
Embedded software included	yes	
UL approval	Ta	-25...70 °C
	Enclosure type	Type 1
	voltage supply	Limited Voltage/Current
	UL approval number	A005
	File number UL	E174191
Mechanical data		
Weight [g]	27.1	
Housing	Threaded type	
Mounting	non-flush mountable	
Dimensions [mm]	M12 x 1 / L = 65	
Thread designation	M12 x 1	
Material	housing: brass weld coated; sensing face: LCP black; LED window: PEI; lock nuts: brass weld coated	
Displays / operating elements		
Display	Switching status	4 x 90° LED, yellow
Accessories		
Items supplied	lock nuts: 2	
Remarks		
Pack quantity	1 pcs.	
Electrical connection - plug		
Connector: 1 x M12; coding: A; Contacts: gold-plated		

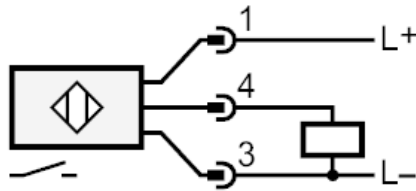
IFW201



Inductive sensor

IFK3008-BPKG/K1/SC/US-104

Connection



Diagrams and graphs

Installation

