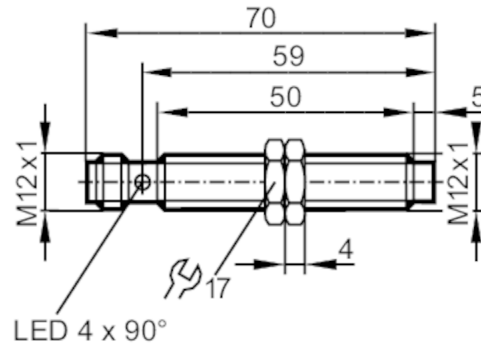


# IFS209



## Inductive sensor

IFKC007-ASKG/2LED/US-104



### Product characteristics

Electrical design		PNP/NPN
Output function		normally open
Sensing range	[mm]	7
Housing		Threaded type
Dimensions	[mm]	M12 x 1 / L = 70

### Application

System		gold-plated contacts; Increased sensing range; optical setting aid
Application		Industrial applications

### Electrical data

Operating voltage	[V]	10...30 DC
Current consumption	[mA]	< 15
Protection class		II
Reverse polarity protection		yes

### Outputs

Electrical design		PNP/NPN
Output function		normally open
Max. voltage drop switching output DC	[V]	2.8
Minimum load current	[mA]	2; (only in 2-wire operation)
Max. leakage current	[mA]	0.6
Permanent current rating of switching output DC	[mA]	100
Switching frequency DC	[Hz]	500
Short-circuit protection		yes
Type of short-circuit protection		yes (non-latching)
Overload protection		yes

### Monitoring range

Sensing range	[mm]	7
Real sensing range $S_r$	[mm]	$7 \pm 10\%$
Operating distance	[mm]	0...5.67

# IFS209



## Inductive sensor

IFKC007-ASKG/2LED/US-104

Increased sensing range		yes
<b>Accuracy / deviations</b>		
Correction factor		steel: 1 / stainless steel: 0.7 / brass: 0.5 / aluminum: 0.4 / copper: 0.3
Hysteresis	[% of Sr]	1...20
Switch-point drift	[% of Sr]	-10...10
<b>Operating conditions</b>		
Ambient temperature	[°C]	-25...70
Protection		IP 67
<b>Tests / approvals</b>		
EMC	EN 61000-4-2 ESD	4 kV CD / 8 kV AD
	EN 61000-4-3 HF radiated	10 V/m
	EN 61000-4-4 Burst	2 kV
	EN 61000-4-5 Surge	0,5 kV mains line to line
	EN 61000-4-6 HF conducted	10 V
	EN 55011	class B
MTTF	[years]	1552
UL approval	Ta	0...40 °C
	Enclosure type	Type 1
	voltage supply	Limited Voltage/Current
	UL approval number	A070
	File number UL	E174191
<b>Mechanical data</b>		
Weight	[g]	30.5
Housing		Threaded type
Mounting		non-flush mountable
Dimensions	[mm]	M12 x 1 / L = 70
Thread designation		M12 x 1
Material		housing: brass white bronze coated; sensing face: PBT orange; LED window: PEI; lock nuts: brass white bronze coated
Tightening torque	[Nm]	7
<b>Displays / operating elements</b>		
Display	Switching status	4 x 90° LED, yellow
	Setting aid	1 x LED, red
Optical setting aid		yes
<b>Accessories</b>		
Items supplied		lock nuts: 2
<b>Remarks</b>		
Remarks		suitable for PLC type 1 according to IEC 61131-2
Pack quantity		1 pcs.

# IFS209

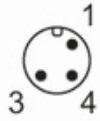


## Inductive sensor

IFKC007-ASKG/2LED/US-104

### Electrical connection - plug

Connector: 1 x M12; coding: A; Contacts: gold-plated



### Connection

