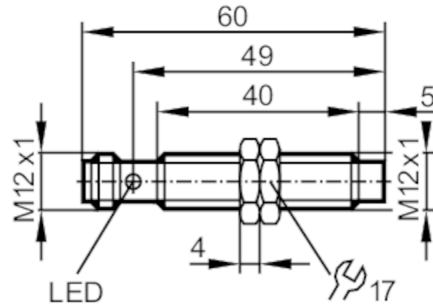


IF7101



Inductive sensor

IFK3004-BPKG/US-100



Product characteristics

Electrical design		PNP
Output function		normally open
Sensing range	[mm]	4
Housing		Threaded type
Dimensions	[mm]	M12 x 1 / L = 60

Application

System		gold-plated contacts
--------	--	----------------------

Electrical data

Operating voltage	[V]	10...30 DC
Current consumption	[mA]	< 10
Protection class		III
Reverse polarity protection		yes

Outputs

Electrical design		PNP
Output function		normally open
Max. voltage drop switching output DC	[V]	2.5
Permanent current rating of switching output DC	[mA]	100
Switching frequency DC	[Hz]	700
Short-circuit protection		yes
Overload protection		yes

Monitoring range

Sensing range	[mm]	4
Real sensing range S_r	[mm]	$4 \pm 10\%$
Operating distance	[mm]	0...3.24

Accuracy / deviations


Correction factor		steel: 1 / stainless steel: 0.7 / brass: 0.5 / aluminum: 0.4 / copper: 0.3
Hysteresis	[% of S_r]	3...15
Switch-point drift	[% of S_r]	-10...10

IF7101



Inductive sensor

IFK3004-BPKG/US-100

Operating conditions		
Ambient temperature	[°C]	-25...70
Protection		IP 67
Tests / approvals		
EMC	EN 61000-4-2 ESD	4 kV CD / 8 kV AD
	EN 61000-4-3 HF radiated	10 V/m
	EN 61000-4-4 Burst	2 kV
	EN 61000-4-6 HF conducted	3 V
	EN 55011	class B
MTTF	[years]	1134
Embedded software included		no
UL approval	Ta	-25...70 °C
	Enclosure type	Type 1
	voltage supply	Limited Voltage/Current
	UL approval number	A001
	File number UL	E174191
Mechanical data		
Weight	[g]	27.2
Housing		Threaded type
Mounting		non-flush mountable
Dimensions	[mm]	M12 x 1 / L = 60
Thread designation		M12 x 1
Material		housing: brass white bronze coated; sensing face: PBT orange; LED window: PEI; lock nuts: brass white bronze coated
Displays / operating elements		
Display	Switching status	1 x LED, yellow
Accessories		
Items supplied		lock nuts: 2
Remarks		
Pack quantity		1 pcs.
Electrical connection - plug		
Connector: 1 x M12; coding: A; Contacts: gold-plated		
		

IF7101

Inductive sensor

IFK3004-BPKG/US-100



Connection

