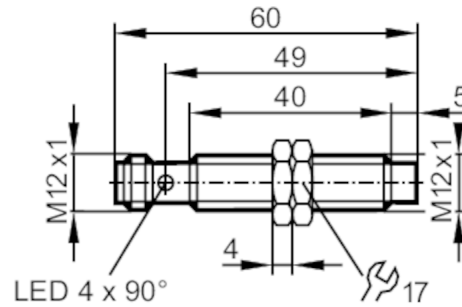


# IF5826



## Inductive sensor

IFK3004-BPKG/US-104



### Product characteristics

Electrical design		PNP
Output function		normally open
Sensing range	[mm]	4
Housing		Threaded type
Dimensions	[mm]	M12 x 1 / L = 60

### Application

System		gold-plated contacts
--------	--	----------------------

### Electrical data

Operating voltage	[V]	10...30 DC
Current consumption	[mA]	< 10
Protection class		II
Reverse polarity protection		yes

### Outputs

Electrical design		PNP
Output function		normally open
Max. voltage drop switching output DC	[V]	2.5
Permanent current rating of switching output DC	[mA]	250
Switching frequency DC	[Hz]	1400
Short-circuit protection		yes
Overload protection		yes

### Monitoring range

Sensing range	[mm]	4
Real sensing range Sr	[mm]	4 ± 10 %
Operating distance	[mm]	0...3.24

### Accuracy / deviations

Correction factor		steel: 1 / stainless steel: 0.7 / brass: 0.5 / aluminum: 0.4 / copper: 0.3
Hysteresis	[% of Sr]	3...15
Switch-point drift	[% of Sr]	-10...10

# IF5826



## Inductive sensor

IFK3004-BPKG/US-104

### Operating conditions

Ambient temperature	[°C]	-25...80
Protection		IP 67

### Tests / approvals

EMC	EN 60947-5-2	
	EN 55011	class B
MTTF	[years]	1083
Embedded software included		no

### Mechanical data

Weight	[g]	27.4
Housing		Threaded type
Mounting		non-flush mountable
Dimensions	[mm]	M12 x 1 / L = 60
Thread designation		M12 x 1
Material		housing: brass white bronze coated; sensing face: PBT orange; LED window: PEI; lock nuts: brass white bronze coated

### Displays / operating elements

Display	Switching status	4 x LED, yellow
---------	------------------	-----------------

### Accessories

Items supplied	lock nuts: 2
----------------	--------------

### Remarks

Pack quantity	1 pcs.
---------------	--------

### Electrical connection - plug

Connector: 1 x M12; coding: A; Contacts: gold-plated



### Connection

