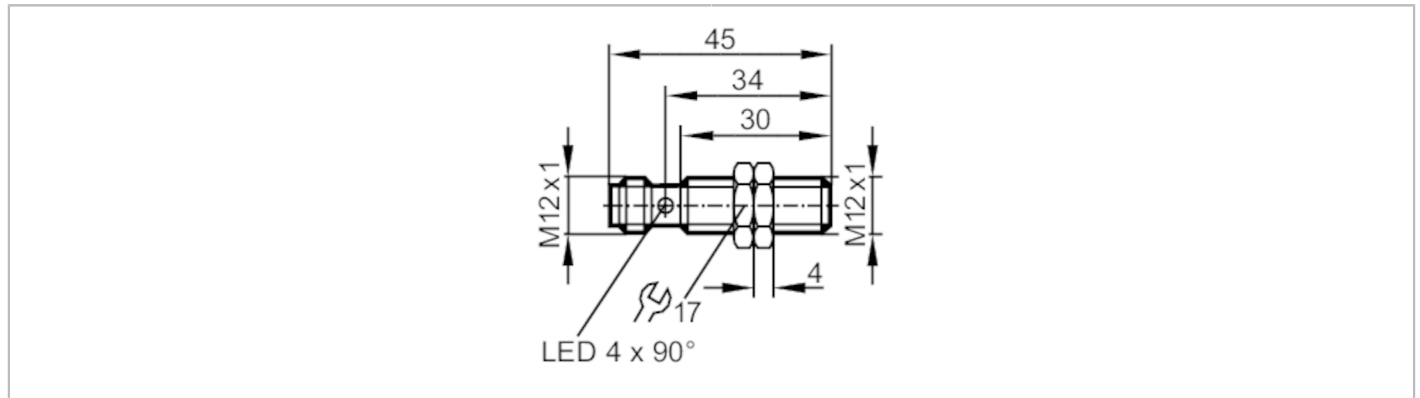


IF5815



Inductive sensor

IFB3002-BPKG/V4A/US-104



Product characteristics	
Electrical design	PNP
Output function	normally open
Sensing range [mm]	2
Housing	Threaded type
Dimensions [mm]	M12 x 1 / L = 45
Application	
System	gold-plated contacts
Application	Industrial applications
Electrical data	
Operating voltage [V]	10...30 DC
Current consumption [mA]	< 10
Protection class	II
Reverse polarity protection	yes
Outputs	
Electrical design	PNP
Output function	normally open
Max. voltage drop switching output DC [V]	2.5
Permanent current rating of switching output DC [mA]	200
Switching frequency DC [Hz]	1200
Short-circuit protection	yes
Type of short-circuit protection	yes (non-latching)
Overload protection	yes
Monitoring range	
Sensing range [mm]	2
Real sensing range Sr [mm]	2 ± 10 %
Operating distance [mm]	0...1.62
Accuracy / deviations	
Correction factor	steel: 1 / stainless steel: 0.7 / brass: 0.5 / aluminum: 0.4 / copper: 0.3

IF5815



Inductive sensor

IFB3002-BPKG/V4A/US-104

Hysteresis	[% of Sr]	1...20
Switch-point drift	[% of Sr]	-10...10

Operating conditions

Ambient temperature	[°C]	-25...80
Protection		IP 67

Tests / approvals

EMC	EN 61000-4-2 ESD	4 kV CD / 8 kV AD
	EN 61000-4-3 HF radiated	10 V/m
	EN 61000-4-4 Burst	2 kV
	EN 61000-4-6 HF conducted	10 V
	EN 55011	class B
MTTF	[years]	1083

Mechanical data

Weight	[g]	24.5
Housing		Threaded type
Mounting		flush mountable
Dimensions	[mm]	M12 x 1 / L = 45
Thread designation		M12 x 1
Material		housing: stainless steel (1.4404 / 316L); sensing face: PBT white; LED window: PEI; lock nuts: stainless steel (1.4404 / 316L)
Tightening torque	[Nm]	15

Displays / operating elements

Display	Switching status	4 x LED, yellow
---------	------------------	-----------------

Accessories

Items supplied	lock nuts: 2
----------------	--------------

Remarks

Pack quantity	1 pcs.
---------------	--------

Electrical connection - plug

Connector: 1 x M12; coding: A; Contacts: gold-plated



IF5815



Inductive sensor

IFB3002-BPKG/V4A/US-104

Connection

