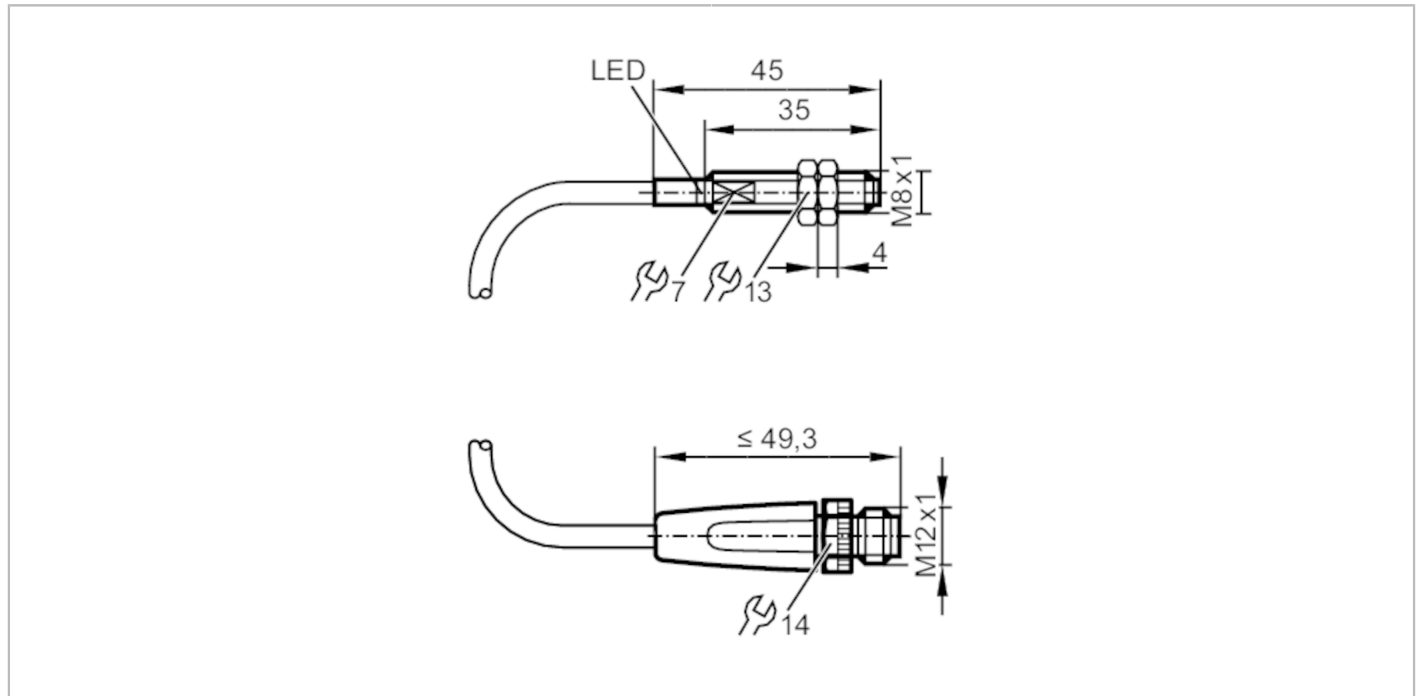


IER203



Inductive full-metal sensor

IEB2002BARKG/AM/SC/0,3M/US/2LE



Product characteristics	
Electrical design	PNP/NPN
Output function	normally open
Sensing range [mm]	2
Housing	Threaded type
Dimensions [mm]	M8 x 1 / L = 45
Application	
System	gold-plated contacts; Increased sensing range; Full-metal housing; optical setting aid
Application	Inductive sensors for welding applications
Pressure rating [bar]	50
Note on pressure rating	sensing face
Electrical data	
Operating voltage [V]	10...36 DC
Protection class	III
Reverse polarity protection	yes
Outputs	
Electrical design	PNP/NPN
Output function	normally open
Max. voltage drop switching output DC [V]	2.5
Minimum load current [mA]	2
Max. leakage current [mA]	0.75
Permanent current rating of switching output DC [mA]	100
Switching frequency DC [Hz]	150

IER203



Inductive full-metal sensor

IEB2002BARKG/AM/SC/0,3M/US/2LE

Short-circuit protection		yes
Type of short-circuit protection		yes (non-latching)
Overload protection		yes
Monitoring range		
Sensing range	[mm]	2
Operating distance	[mm]	0...1.6
Increased sensing range		yes
Accuracy / deviations		
Correction factor		steel: 1 / stainless steel: 0.6 / brass: 0.4 / aluminum: 0.3 / copper: 0.2
Hysteresis	[% of Sr]	1...20
Operating conditions		
Ambient temperature	[°C]	-25...70
Protection		IP 67
Tests / approvals		
EMC	EN 61000-4-2 ESD	4 kV CD / 8 kV AD
	EN 61000-4-3 HF radiated	10 V/m
	EN 61000-4-4 Burst	2 kV
	EN 61000-4-6 HF conducted	10 V
	EN 55011	class B
Impact resistance		1 J
MTTF	[years]	1384
UL approval	Ta	0...40 °C
	Enclosure type	Type 1
	voltage supply	Limited Voltage/Current
	File number UL	E174191
Mechanical data		
Weight	[g]	34.7
Housing		Threaded type
Mounting		flush mountable
Dimensions	[mm]	M8 x 1 / L = 45
Thread designation		M8 x 1
Material		housing: stainless steel (1.4404 / 316L) weld coated; sensing face: stainless steel (1.4404 / 316L) weld coated; lock nuts: stainless steel (1.4404 / 316L) weld coated
Full-metal housing		yes
Displays / operating elements		
Display	Switching status	1 x LED, green
	Setting aid	1 x LED, red
Optical setting aid		yes
Accessories		
Items supplied		lock nuts: 2
Remarks		
Pack quantity		1 pcs.

IER203



Inductive full-metal sensor

IEB2002BARKG/AM/SC/0,3M/US/2LE

Electrical connection - plug

Cable: 0.3 m, PUR; 2 x 0.34 mm²

Connector: 1 x M12; coding: A; Contacts: gold-plated



Connection

