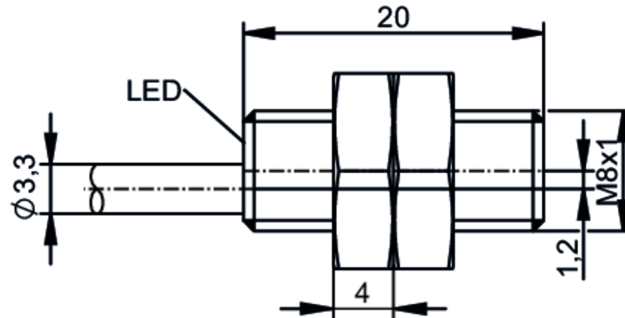


IE5395



Inductive sensor

IEB31,5-BPKG/2M



Product characteristics

Electrical design		PNP
Output function		normally open
Sensing range	[mm]	1.5
Housing		Threaded type
Dimensions	[mm]	M8 x 1 / L = 20

Electrical data

Operating voltage	[V]	10...30 DC; (cULus - Class 2 source required)
Current consumption	[mA]	10; (24 V)
Protection class		III
Reverse polarity protection		yes

Outputs

Electrical design		PNP
Output function		normally open
Max. voltage drop switching output DC	[V]	1.5
Permanent current rating of switching output DC	[mA]	100
Switching frequency DC	[Hz]	4000
Short-circuit protection		yes
Type of short-circuit protection		yes (non-latching)
Overload protection		yes

Monitoring range

Sensing range	[mm]	1.5
Real sensing range Sr	[mm]	1.5 ± 10 %
Operating distance	[mm]	0...1.2

Accuracy / deviations

Correction factor		steel: 1 / stainless steel: 0.75 / brass: 0.45 / aluminum: 0.4 / copper: 0.3
Hysteresis	[% of Sr]	< 15
Switch-point drift	[% of Sr]	-10...10

IE5395



Inductive sensor

IEB31,5-BPKG/2M

Operating conditions		
Ambient temperature	[°C]	-25...70
Protection		IP 67
Tests / approvals		
EMC	EN 61000-4-2 ESD	4 kV CD / 8 kV AD
	EN 61000-4-3 HF radiated	10 V/m
	EN 61000-4-4 Burst	2 kV
	EN 61000-4-6 HF conducted	3 V
	EN 55011	class B
MTTF	[years]	480
UL approval	Ta	< 40 °C
	Enclosure type	Type 1
	voltage supply	Class 2
	File number UL	E174191
Mechanical data		
Weight	[g]	50.55
Housing		Threaded type
Mounting		flush mountable
Dimensions	[mm]	M8 x 1 / L = 20
Thread designation		M8 x 1
Material		housing: brass nickel-plated; sensing face: LCP
Displays / operating elements		
Display	Switching status	1 x LED, yellow
Accessories		
Items supplied		lock nuts: 2
Remarks		
Pack quantity		1 pcs.
Electrical connection		
Cable: 2 m, PVC; 3 x 0.14 mm ²		
Connection		

