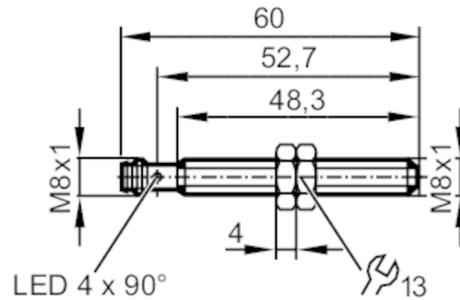


IE5390



Inductive sensor

IEK31,5-BPKG/V4A/K1/AS



Product characteristics

| | |
|--------------------|-----------------|
| Electrical design | PNP |
| Output function | normally open |
| Sensing range [mm] | 1.5 |
| Housing | Threaded type |
| Dimensions [mm] | M8 x 1 / L = 60 |

Application

| | |
|--|--|
| System | gold-plated contacts; correction factor = 1; Magnetic-field immune |
| Magnetic-field immune | yes |
| Max. electromagnetic field immunity [mT] | 300 |

Electrical data

| | |
|-----------------------------|------------|
| Operating voltage [V] | 10...30 DC |
| Current consumption [mA] | < 20 |
| Protection class | III |
| Reverse polarity protection | yes |

Outputs

| | |
|--|---------------|
| Electrical design | PNP |
| Output function | normally open |
| Max. voltage drop switching output DC [V] | 2.5 |
| Permanent current rating of switching output DC [mA] | 100 |
| Switching frequency DC [Hz] | 1000 |
| Short-circuit protection | yes |
| Overload protection | yes |

Monitoring range

| | |
|----------------------------|------------|
| Sensing range [mm] | 1.5 |
| Real sensing range Sr [mm] | 1.5 ± 10 % |
| Operating distance [mm] | 0...1.2 |

Accuracy / deviations

| | |
|-------------------|--|
| Correction factor | steel: 1 / stainless steel: 1 / brass: 1 / aluminum: 1 / copper: 1 |
|-------------------|--|

IE5390



Inductive sensor

IEK31,5-BPKG/V4A/K1/AS

| | | |
|-----------------------|-----------|----------|
| Hysteresis | [% of Sr] | 1...20 |
| Switch-point drift | [% of Sr] | -10...10 |
| Correction factor = 1 | | yes |

Operating conditions

| | | |
|---------------------|------|---|
| Ambient temperature | [°C] | -25...70 |
| Protection | | IP 65; IP 67; (with ifm socket duly screwed on) |

Tests / approvals

| | | |
|----------------------------|---------------------------|-------------------|
| EMC | EN 61000-4-2 ESD | 4 kV CD / 8 kV AD |
| | EN 61000-4-3 HF radiated | 10 V/m |
| | EN 61000-4-4 Burst | 2 kV |
| | EN 61000-4-6 HF conducted | 10 V |
| | EN 55011 | class B |
| MTTF | [years] | 544 |
| Embedded software included | | yes |

Mechanical data

| | | |
|--------------------|------|---|
| Weight | [g] | 22 |
| Housing | | Threaded type |
| Mounting | | flush mountable |
| Dimensions | [mm] | M8 x 1 / L = 60 |
| Thread designation | | M8 x 1 |
| Material | | housing: stainless steel (1.4404 / 316L); sensing face: LCP; lock nuts: brass |

Displays / operating elements

| | | |
|---------|------------------|---------------------|
| Display | Switching status | 4 x 90° LED, yellow |
|---------|------------------|---------------------|

Accessories

| | | |
|----------------|--|--------------|
| Items supplied | | lock nuts: 2 |
|----------------|--|--------------|

Remarks

| | | |
|---------------|--|--------|
| Pack quantity | | 1 pcs. |
|---------------|--|--------|

Electrical connection - plug

Connector: 1 x M8; coding: A; Locking: snap-fit ; Contacts: gold-plated



IE5390



Inductive sensor

IEK31,5-BPKG/V4A/K1/AS

Connection

