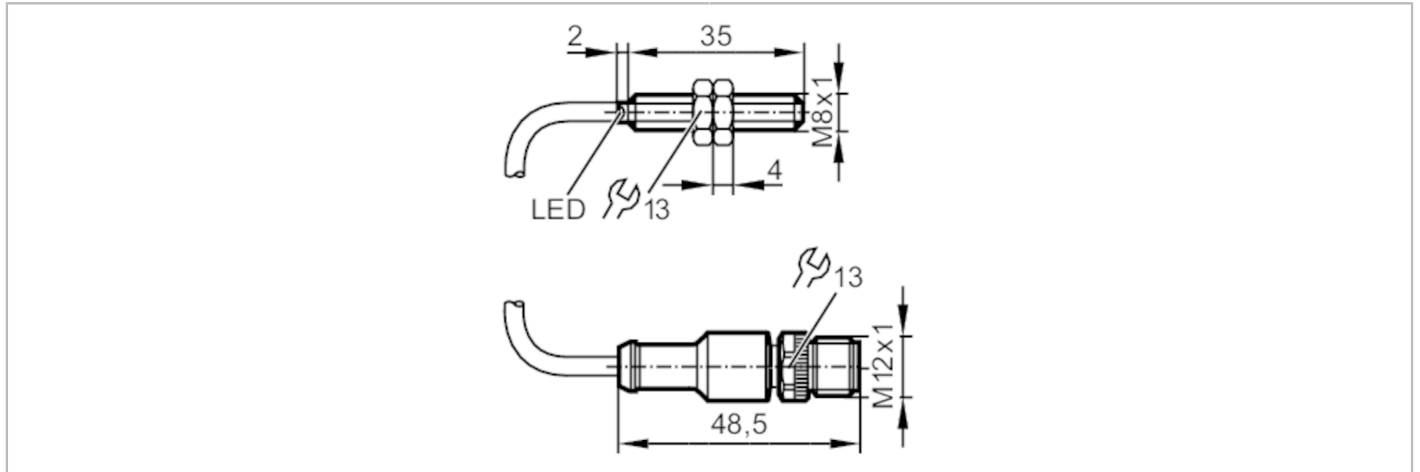


# IE5351



## Inductive sensor

IEBC003BASKG/0,3M/US



Product characteristics	
Electrical design	PNP/NPN
Output function	normally open
Sensing range [mm]	3
Housing	Threaded type
Dimensions [mm]	M8 x 1 / L = 37
Electrical data	
Operating voltage [V]	10...30 DC
Current consumption [mA]	< 10; (only in 3-wire operation)
Protection class	III
Reverse polarity protection	yes
Outputs	
Electrical design	PNP/NPN
Output function	normally open
Max. voltage drop switching output DC [V]	2.8
Minimum load current [mA]	2; (only in 2-wire operation)
Max. leakage current [mA]	0.5; (only in 2-wire operation)
Permanent current rating of switching output DC [mA]	100
Switching frequency DC [Hz]	1000
Short-circuit protection	yes
Type of short-circuit protection	yes (non-latching)
Overload protection	yes
Monitoring range	
Sensing range [mm]	3
Operating distance [mm]	0...2.4
Accuracy / deviations	
Correction factor	steel: 1 / stainless steel: 0.7 / brass: 0.5 / aluminum: 0.4 / copper: 0.3

# IE5351



## Inductive sensor

IEBC003BASKG/0,3M/US

Hysteresis	[% of Sr]	1...15
<b>Operating conditions</b>		
Ambient temperature	[°C]	0...60
Protection		IP 67
<b>Tests / approvals</b>		
EMC		EN 60947-5-2
MTTF	[years]	1517
UL approval	Ta	-25...80 °C
	Enclosure type	Type 1
	voltage supply	Limited Voltage/Current
	File number UL	E174191
<b>Mechanical data</b>		
Weight	[g]	31.2
Housing		Threaded type
Mounting		flush mountable
Dimensions	[mm]	M8 x 1 / L = 37
Thread designation		M8 x 1
Material		brass white bronze coated; sensing face: LCP
<b>Displays / operating elements</b>		
Display	Switching status	1 x LED, yellow
<b>Accessories</b>		
Items supplied		lock nuts: 2 x M8
<b>Remarks</b>		
Pack quantity		1 pcs.

# IE5351



## Inductive sensor

IEBC003BASKG/0,3M/US

### Electrical connection - plug

Cable: 0.3 m, PVC; 3 x 0.14 mm<sup>2</sup>

Connector: 1 x M12; coding: A; Locking: rotatable

