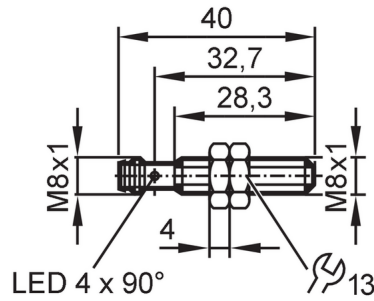


IE5349



Inductive sensor

IEBC003BBSKG/AS



Product characteristics

Electrical design	PNP/NPN
Output function	normally closed
Sensing range [mm]	3
Housing	Threaded type
Dimensions [mm]	M8 x 1 / L = 40

Electrical data

Operating voltage [V]	10...30 DC
Protection class	III
Reverse polarity protection	yes

Outputs

Electrical design	PNP/NPN
Output function	normally closed
Max. voltage drop switching output DC [V]	3.5
Minimum load current [mA]	2; (only in 2-wire operation)
Max. leakage current [mA]	0.5; (nur im 3-Leiter Betrieb)
Permanent current rating of switching output DC [mA]	100
Switching frequency DC [Hz]	800
Short-circuit protection	yes
Overload protection	yes

Monitoring range

Sensing range [mm]	3
Real sensing range S_r [mm]	$3 \pm 10\%$
Operating distance [mm]	0...2.4

Accuracy / deviations

Correction factor	steel: 1 / stainless steel: 0.7 / brass: 0.5 / aluminum: 0.4 / copper: 0.3
Hysteresis [% of S_r]	1...20
Switch-point drift [mm]	-10...10

Operating conditions

Ambient temperature [°C]	0...60
Protection	IP 65; IP 67; (with ifm socket duly screwed on)

IE5349



Inductive sensor

IEBC003BBSKG/AS

Tests / approvals		
EMC	EN 60947-5-2	
	EN 61000-4-2 ESD	4 kV CD / 8 kV AD
	EN 61000-4-3 HF radiated	10 V/m
	EN 61000-4-4 Burst	2 kV
	EN 61000-4-6 HF conducted	10 V
	EN 55011	class B
MTTF [years]		403
Embedded software included		no
UL approval	Ta	0...60 °C
	Enclosure type	Type 1
	voltage supply	Limited Voltage/Current
	UL approval number	A017
	File number UL	E174191

Mechanical data		
Weight [g]		14
Housing		Threaded type
Mounting		flush mountable
Dimensions [mm]		M8 x 1 / L = 40
Thread designation		M8 x 1
Material		housing: brass white bronze coated; sensing face: LCP orange; LED window: PPSU; lock nuts: brass white bronze coated
Tightening torque [Nm]		A = 5 mm: 1,5 Nm; B = 2 Nm

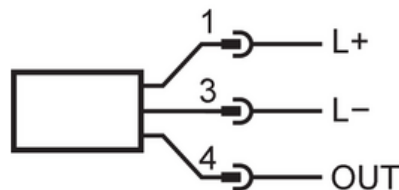
Displays / operating elements		
Display	Switching status	4 LED, yellow

Accessories		
Items supplied		lock nuts: 2

Remarks		
Pack quantity		1 pcs.

Electrical connection - plug

Connector: 1 x M8; coding: A



2-wire PNP		
1	L+	
4	L-	DO (NC) (PNP)
2-wire NPN		
1	L+	DO (NC) (NPN)
4	L-	

IE5349



Inductive sensor

IEBC003BBSKG/AS

3-wire PNP

1	L+	
3	L-	
4	OUT	DO (NC) (PNP)

Diagrams and graphs

Installation

