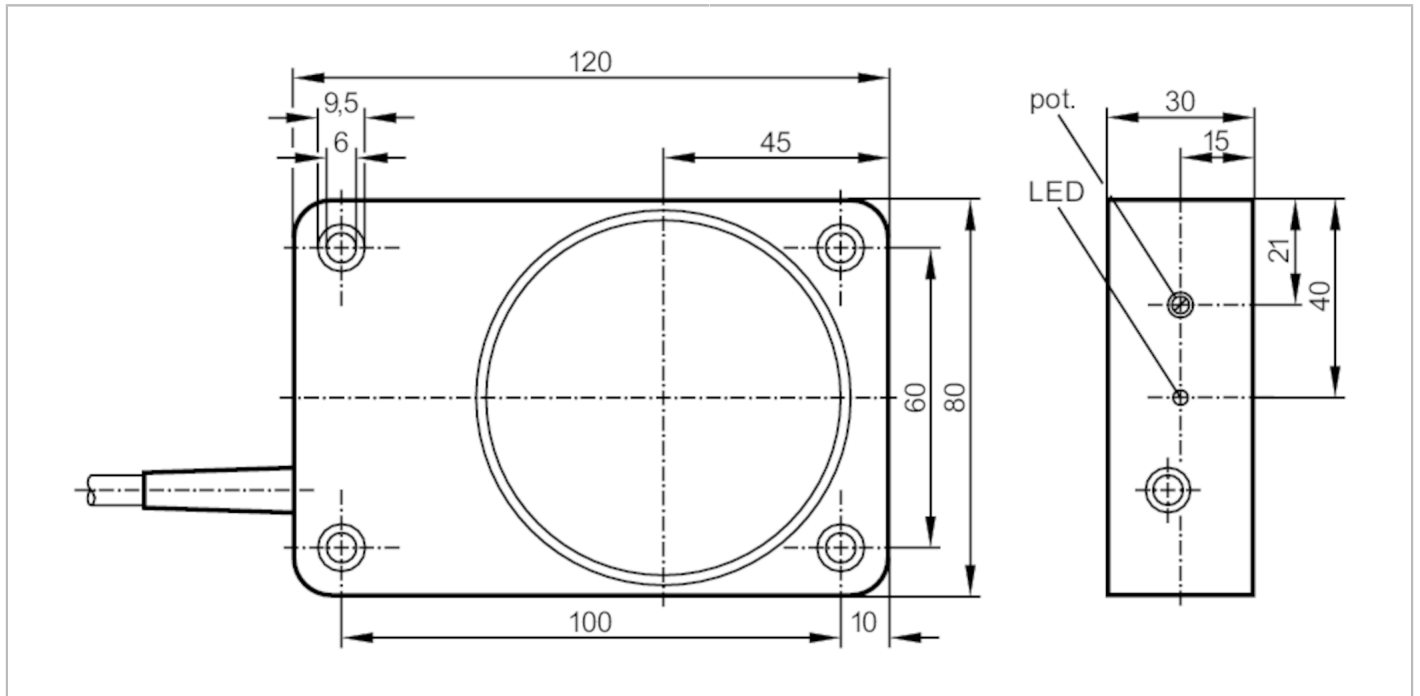


# ID0015



## Inductive sensor

ID-2050-BBOA



### Product characteristics

Output function		normally closed
Sensing range	[mm]	50
Housing		rectangular
Dimensions	[mm]	120 x 80 x 30

### Electrical data

Operating voltage	[V]	20...250 AC/DC
Protection class		II
Reverse polarity protection		no

### Outputs

Output function		normally closed
Max. voltage drop switching output DC	[V]	5
Max. voltage drop switching output AC	[V]	5.5
Minimum load current	[mA]	5
Max. leakage current	[mA]	2.5 (250 V AC) / 1.3 (110 V AC) / 0.8 (24 V DC)
Permanent current rating of switching output AC	[mA]	250; (350 (...50 °C))
Permanent current rating of switching output DC	[mA]	100
Short-time current rating of switching output	[mA]	2200; (20 ms / 0,5 Hz)
Switching frequency AC	[Hz]	25
Switching frequency DC	[Hz]	35
Short-circuit proof		no

# ID0015



## Inductive sensor

ID-2050-BBOA

Overload protection		no
<b>Monitoring range</b>		
Sensing range [mm]		50
Sensing range adjustable		yes
Factory setting sensing range [mm]		50
Real sensing range Sr [mm]		50 ± 10 %
Operating distance [mm]		0...40.5
<b>Accuracy / deviations</b>		
Correction factor		steel: 1 / stainless steel: 0.7 / brass: 0.4 / aluminum: 0.3 / copper: 0.2
Hysteresis [% of Sr]		1...15
Switch-point drift [% of Sr]		-10...10
<b>Operating conditions</b>		
Ambient temperature [°C]		-25...80
Protection		IP 65
<b>Tests / approvals</b>		
EMC	EN 60947-5-2	
	EN 55011	class B
MTTF [years]		512
<b>Mechanical data</b>		
Weight [g]		592
Housing		rectangular
Mounting		non-flush mountable
Dimensions [mm]		120 x 80 x 30
Material		PPE modified
<b>Displays / operating elements</b>		
Display	Switching status	1 x LED, yellow
<b>Electrical connection</b>		
Required protection		miniature fuse to IEC60127-2 sheet 1; ≤ 2 A; fast acting
<b>Accessories</b>		
Items supplied		screwdriver: 1
<b>Remarks</b>		
Remarks		Recommendation: check the unit for reliable function after a short circuit.
Pack quantity		1 pcs.

# ID0015



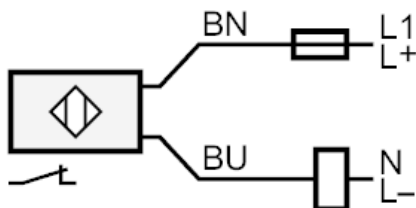
## Inductive sensor

ID-2050-BBOA

### Electrical connection

Cable: 2 m, PVC; 2 x 0.5 mm<sup>2</sup>

### Connection



Note miniature fuse to IEC60127-2 sheet 1  $\leq$  2 A fast acting  
Core colors :

BN =

brown

BU =

blue