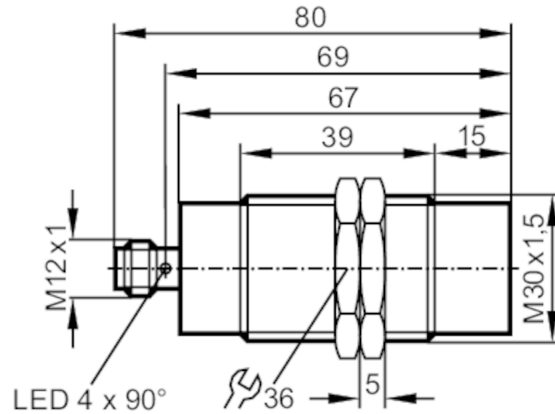


GI701S



Fail-safe inductive sensor

GIIA-4030-US/2OSSD/V4A



Product characteristics

Electrical design	PNP
Output function	2 x OSSD (A1 and A2)
Enable zone [mm]	6...12
Housing	Threaded type
Dimensions [mm]	M30 x 1.5 / L = 80

Application

System	gold-plated contacts
Type of operation	continuous operation (maintenance-free)
Safety-related sub-function	safe state when properly undamped
Application	Industrial applications

Electrical data

Operating voltage [V]	19.2...30 DC
Rated insulation voltage [V]	30
Current consumption [mA]	< 30
Protection class	III
Reverse polarity protection	yes
Max. power-on delay time [ms]	5000

Outputs

Electrical design	PNP
Output function	2 x OSSD (A1 and A2)
Max. voltage drop switching output DC [V]	2.5; (100 mA)
Permanent current rating of switching output DC [mA]	100
Output data	Interface type C class 0
Output voltage at 24 V	compatible with EN 61131-2 inputs type 1, 2, 3
Short-circuit protection	yes
Max. capacitive load CL_max [nF]	20

GI701S



Fail-safe inductive sensor

GIIA-4030-US/2OSSD/V4A

Monitoring range		
Enable zone [mm]	6...12	
Safe switching-off distance s(ar) [mm]	30	
Reaction times		
Response time to safety request [ms]	50	
Response time when approaching the enable zone [ms]	200	
Risk time (response time for safety-related faults) [ms]	100	
Operating conditions		
Applications	Class C to EN 60654-1 weatherproof application	
Ambient temperature [°C]	-25...70	
Note on ambient temperature	operational life ≤ 87600 h	
Ambient temperature [°C]	10...40	
Note on ambient temperature	operational life ≤ 175200 h	
Rate of temperature change [K/min]	0.5	
Max. relative air humidity [%]	briefly: 5...95 %; permanent: 5...70 %	
Air pressure [kPa]	80...106	
Max. height above sea level [m]	2000	
Ionizing radiation	not permissible	
Salt spray	no	
Protection	IP 68; IP 69K	
Tests / approvals		
EMC	IEC 60947-5-2	
	IEC 60947-5-3	
	EN 61000-4-2 ESD	6 kV CD / 8 kV AD
	EN 61000-4-3 HF radiated	20 V/m
	EN 61000-4-4 Burst	2 kV
	EN 61000-4-6 HF conducted	10 V
	EN 61000-4-8	30 A/m
	EN 55011	class B
Shock resistance	IEC 60947-5-2	
Vibration resistance	IEC 60947-5-2	
Safety classification		
Complies with the requirements	ISO 13849-1: 2015 Category 3, PL e	
	IEC 61508 SIL 3	
	IEC 62061 SIL 3	
Mission time TM [h]	≤ 175200	
Mission time TM (additional indication)	20 years	
PFH [1/h]	1E-08	
Mechanical data		
Weight [g]	252.4	
Housing	Threaded type	
Mounting	non-flush mountable	

GI701S



Fail-safe inductive sensor

GIIA-4030-US/2OSSD/V4A

Dimensions [mm]	M30 x 1.5 / L = 80
Thread designation	M30 x 1.5
Material	stainless steel (1.4404 / 316L); PBT

Displays / operating elements

Display	Power	1 x LED, green
	signal	1 x LED, yellow

Accessories

Items supplied	lock nuts: 2
----------------	--------------

Remarks

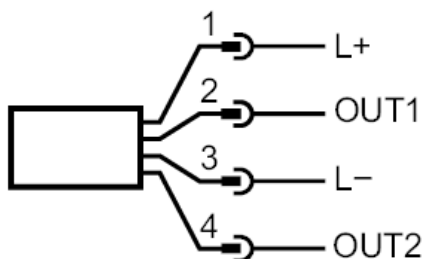
Remarks	Unless stated otherwise, all data refer to the reference target plate to IEC 60947-5-2 over the whole temperature range. (FE360 = ST37K) 45x45x1 mm
Pack quantity	1 pcs.

Electrical connection - plug

Connector: 1 x M12; coding: A; Contacts: gold-plated



Connection



1	L+	
2	OUT1	OSSD1
3	L-	
4	OUT2	OSSD2

OUT: Output