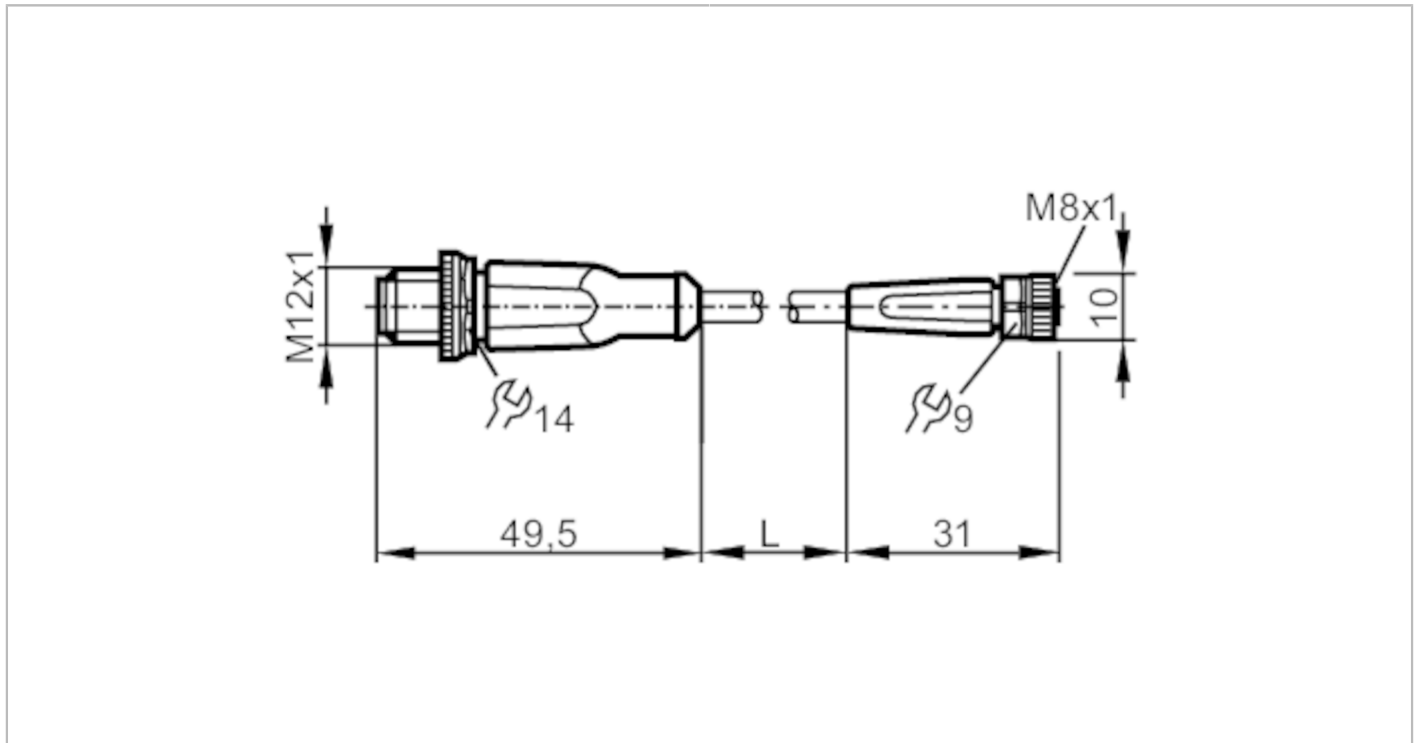


EVW078



Connection cable

VDOGF030SCS0001T03STGH030SCS



Application	
System	Free from silicone; Halogen-free; gold-plated contacts; Drag chain suitability
Application	welding applications
Free from silicone	yes
Electrical data	
Operating voltage [M]	< 50 AC / < 60 DC
Protection class	III
Max. current load total [A]	3
Operating conditions	
Ambient temperature [°C]	-25...90
Note on ambient temperature	cULus: ...75
Ambient temperature (moving) [°C]	-25...90
Note on ambient temperature (moving)	cULus: ...75
Protection	IP 65; IP 67; IP 68; IP 69K
Mechanical data	
Weight [g]	51
Molded-body material	TPU (urethane)
Material nut	brass, weld coated
Sealing material	FKM
Drag chain suitability	yes

EVW078



Connection cable

VDOG F030SCS0001T03STGH030SCS

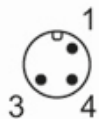
Drag chain suitability	Bending radius for flexible applications	min. 10 x cable diameter
	Travel speed	max. 3.3 m/s for a horizontal travel length of 5 m and max. acceleration of 5 m/s ²
	Bending cycles	> 2 Mio.
	Torsional strain	± 180 °/m

Remarks

Remarks	without label holders
Pack quantity	1 pcs.

Electrical connection - plug

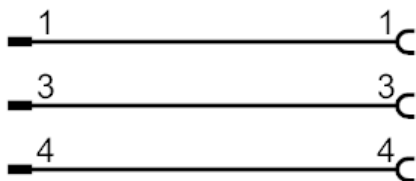
Connector: 1 x M12, straight; coding: A; Moulded body: TPU (urethane), orange; Locking: brass, weld coated; Contacts: gold-plated; Tightening torque: 0.6...1.5 Nm



Electrical connection

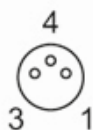
Cable: 1 m, PUR, Halogen-free, grey, Ø 4.5 mm; not irradiated (can be recycled); resistant to welding sparks; 3 x 0.25 mm² (32 x Ø 0.1 mm)

Connection



Electrical connection - Socket

Connector: 1 x M8, straight; coding: A; Moulded body: TPU (urethane), orange; Locking: brass, weld coated; sealing: FKM; Contacts: gold-plated; Tightening torque: 0.3...0.5 Nm



EVW078

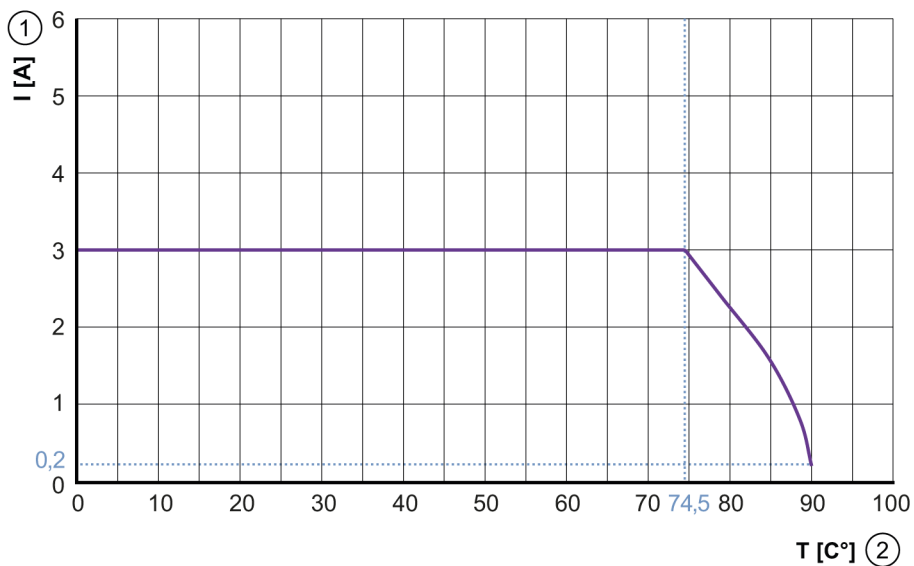


Connection cable

VDOGF030SCS0001T03STGH030SCS

Diagrams and graphs

Characteristic curve for derating



- 1 Current [A]
- 2 Ambient temperature [°C]