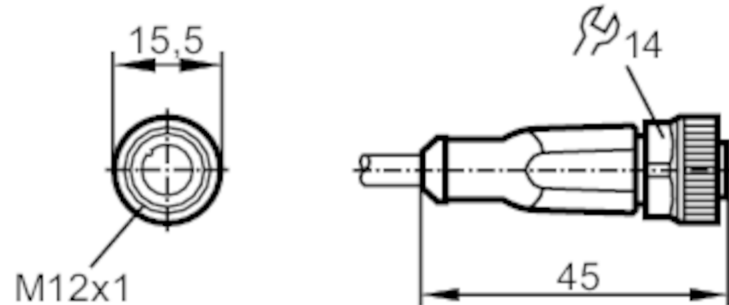


EVC561



Female cordset

ADOGH050MSS0030C05



Application

System	Free from silicone; Halogen-free; gold-plated contacts; screened cable; Drag chain suitability
Application	Industrial applications; Oils and coolants
Free from silicone	yes

Electrical data

Operating voltage	[V]	< 30 AC / < 36 DC
Protection class		III
Max. current load total	[A]	4
Overall current rating (UL)	[A]	3

Operating conditions

Ambient temperature	[°C]	-25...90
Note on ambient temperature		cULus: ...75
Ambient temperature (moving)	[°C]	-25...90
Note on ambient temperature (moving)		cULus: ...75
Protection		IP 65; IP 67; IP 68; IP 69K

Mechanical data

Weight	[g]	1148.5
Dimensions	[mm]	15.5 x 15.5 x 45
Molded-body material		TPU (urethane)
Material nut		brass, nickel-plated
Sealing material		FKM

EVC561



Female cordset

ADOGH050MSS0030C05

Drag chain suitability	yes	
Drag chain suitability	Bending radius for flexible applications	min. 10 x cable diameter
	Travel speed	max. 3.3 m/s for a horizontal travel length of 5 m and max. acceleration of 5 m/s ²
	Bending cycles	≥ 2 Mio.
	Torsional strain	± 180 °/m

Remarks

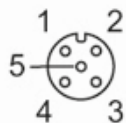
Pack quantity	1 pcs.
---------------	--------

Electrical connection

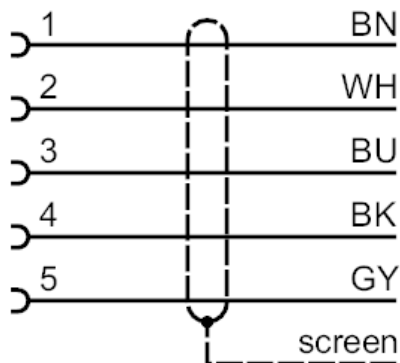
Cable: 30 m, PUR, Halogen-free, black, Ø 4.9 mm, screened; 5 x 0.25 mm² (32 x Ø 0.1 mm)

Electrical connection - Socket

Connector: 1 x M12, straight; coding: A; Moulded body: TPU (urethane), orange; Locking: brass, nickel-plated; sealing: FKM; Contacts: gold-plated; Tightening torque: 0.6...1.5 Nm; Shielded connection cable: shield not connected



Connection



	Core colors :
BK =	black
BN =	brown
BU =	blue
GY =	grey
WH =	white