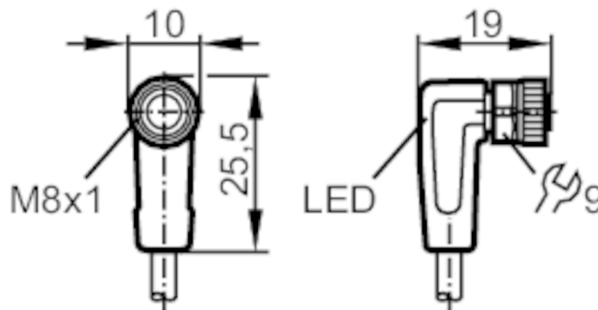


# EVC147



## Female cordset

ADOAF032MSS0002H03



Application	
System	Free from silicone; Halogen-free; gold-plated contacts; Drag chain suitability
Application	Industrial applications; Oils and coolants
Free from silicone	yes
Electrical data	
Operating voltage [V]	10...36 DC
Protection class	III
Max. current load total [A]	3
Outputs	
Electrical design	PNP
Operating conditions	
Ambient temperature [°C]	-25...90
Note on ambient temperature	cULus: ...80 °C
Ambient temperature (moving) [°C]	-25...90
Note on ambient temperature (moving)	cULus: ...80 °C
Protection	IP 65; IP 67; IP 68; IP 69K
Tests / approvals	
MTTF [years]	31710
Mechanical data	
Weight [g]	52.9
Dimensions [mm]	19 x 10 x 25.5
Molded-body material	TPU (urethane)

# EVC147



## Female cordset

ADOAF032MSS0002H03

Material nut	brass, nickel-plated	
Sealing material	FKM	
Drag chain suitability	yes	
Drag chain suitability	Bending radius for flexible applications	min. 10 x cable diameter
	Travel speed	max. 3.3 m/s for a horizontal travel length of 5 m and max. acceleration of 5 m/s <sup>2</sup>
	Bending cycles	> 5 Mio.
	Torsional strain	± 180 °/m

### Displays / operating elements

Display	Switching status	1 x LED, yellow
	Power	1 x LED, green

### Remarks

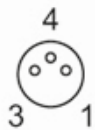
Pack quantity	1 pcs.
---------------	--------

### Electrical connection

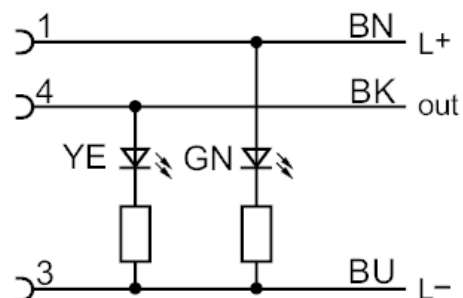
Cable: 2 m, PUR, Halogen-free, black, Ø 3.7 mm; 3 x 0.25 mm<sup>2</sup> (32 x Ø 0.1 mm )

### Electrical connection - Socket

Connector: 1 x M8, angled; coding: A; Moulded body: TPU (urethane), black transparent; Locking: brass, nickel-plated; sealing: FKM; Contacts: gold-plated; Tightening torque: 0.3...0.5 Nm



### Connection



Core colors :  
 BK = black  
 BN = brown  
 BU = blue

# EVC147

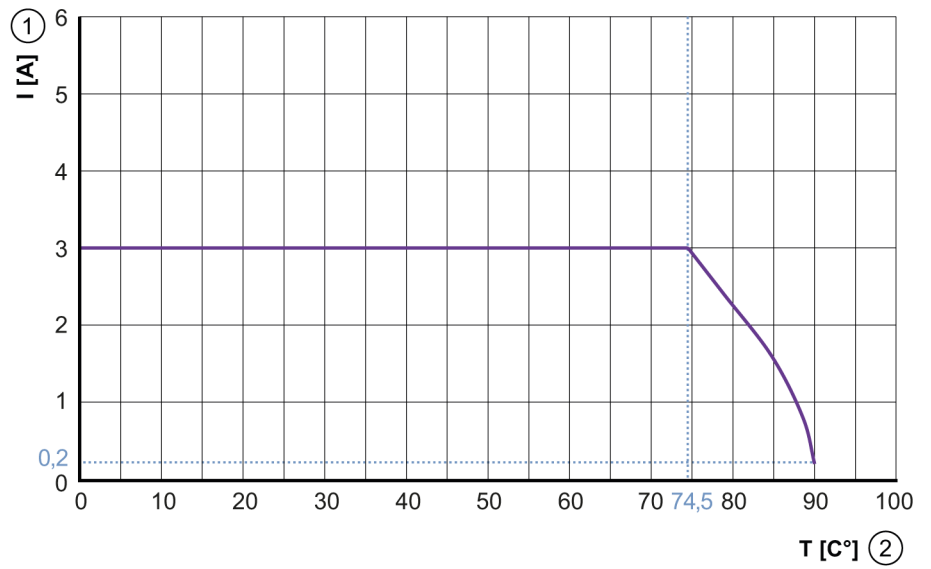


## Female cordset

ADOAF032MSS0002H03

### Diagrams and graphs

Characteristic curve for derating



- 1 Current [A]
- 2 Ambient temperature [°C]