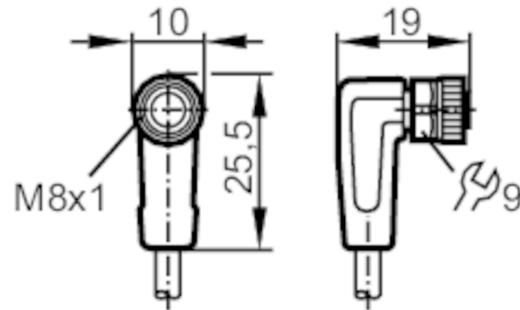


# EVC146



## Female cordset

ADOAF030MSS0010H03



| Application                          |  |
|--------------------------------------|--|
| System                               | Free from silicone; Halogen-free; gold-plated contacts; Drag chain suitability |
| Application                          | Industrial applications; Oils and coolants                                     |
| Free from silicone                   | yes  |
| Electrical data                      |  |
| Operating voltage [V]                | < 50 AC / < 60 DC  |
| Protection class                     | III  |
| Max. current load total [A]          | 3  |
| Operating conditions                 |  |
| Ambient temperature [°C]             | -25...90   |
| Note on ambient temperature          | cULus: ...80   |
| Ambient temperature (moving) [°C]    | -25...90   |
| Note on ambient temperature (moving) | cULus: ...80   |
| Protection                           | IP 65; IP 67; IP 68; IP 69K  |
| Mechanical data                      |  |
| Weight [g]                           | 206  |
| Dimensions [mm]                      | 19 x 10 x 25.5   |
| Molded-body material                 | TPU (urethane)   |
| Material nut                         | brass, nickel-plated   |
| Sealing material                     | FKM  |
| Drag chain suitability               | yes  |

# EVC146



## Female cordset

ADOAF030MSS0010H03

|                        |  |  |
|------------------------|--|--|
| Drag chain suitability | Bending radius for flexible applications | min. 10 x cable diameter   |
|                        | Travel speed                             | max. 3.3 m/s for a horizontal travel length of 5 m and max. acceleration of 5 m/s <sup>2</sup> |
|                        | Bending cycles                           | > 5 Mio.   |
|                        | Torsional strain                         | ± 180 °/m  |

### Remarks

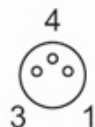
|               |        |
|---------------|--------|
| Pack quantity | 1 pcs. |
|---------------|--------|

### Electrical connection

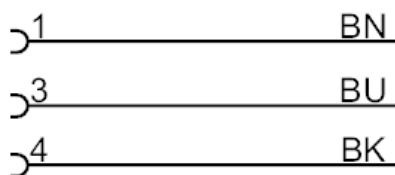
Cable: 10 m, PUR, Halogen-free, black, Ø 3.7 mm; 3 x 0.25 mm<sup>2</sup> (32 x Ø 0.1 mm )

### Electrical connection - Socket

Connector: 1 x M8, angled; coding: A; Moulded body: TPU (urethane), orange; Locking: brass, nickel-plated; sealing: FKM;  
Contacts: gold-plated; Tightening torque: 0.3...0.5 Nm



### Connection



Core colors :  
BK = black  
BN = brown  
BU = blue

# EVC146

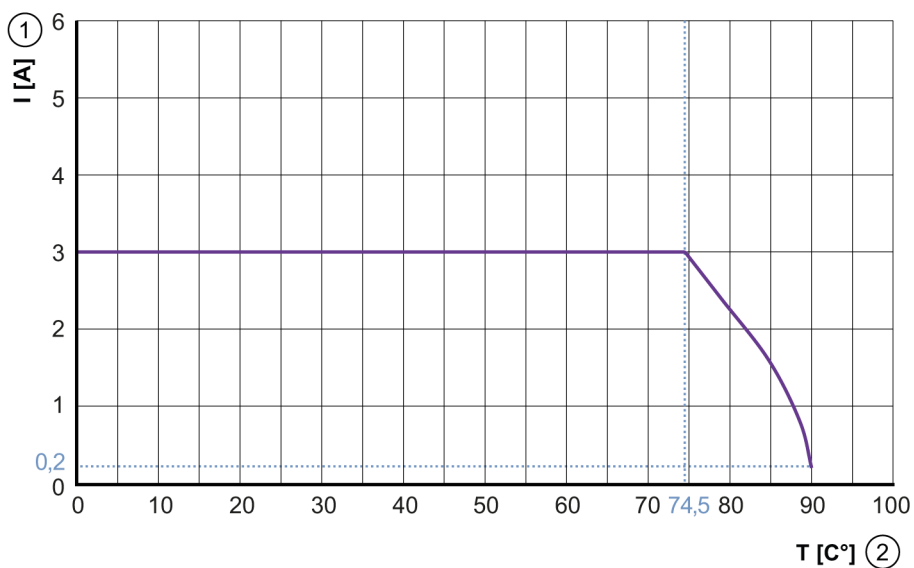


## Female cordset

ADOAF030MSS0010H03

### Diagrams and graphs

Characteristic curve for derating



- 1 Current [A]
- 2 Ambient temperature [°C]