

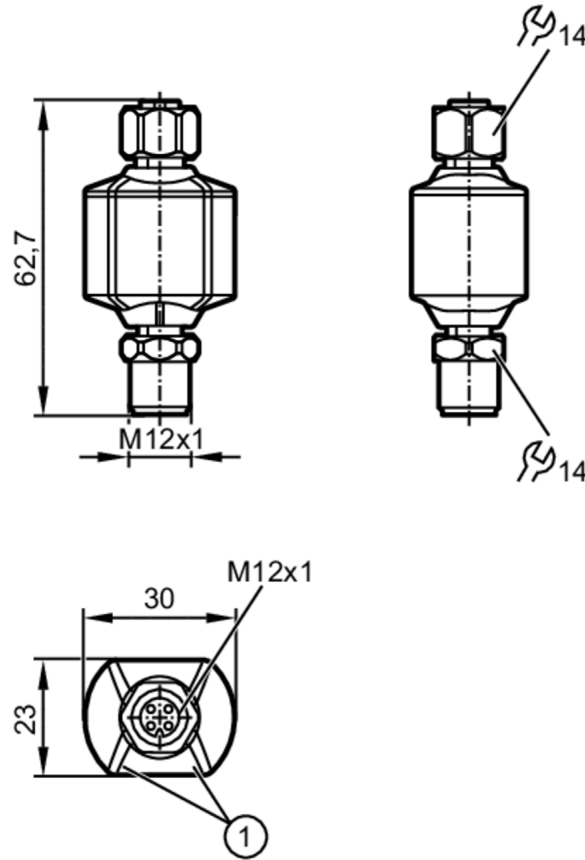
EIO104



IO-Link master / converter - 4...20 mA

IO-LINK/4-20mA MASTERCONVERTER

This converter only works in combination with appropriately specified ifm sensors (see device catalog under "Downloads")



1 LEDs



Product characteristics

Number of inputs and outputs Number of analog outputs: 2

Application

Design integrated IO-Link master

Electrical data

| | | |
|-------------------------|------|----------------------------|
| Operating voltage | [V] | 18...30 DC; (to SELV/PELV) |
| Nominal voltage DC | [V] | 24 |
| Current consumption | [mA] | < 30 |
| Max. current load total | [A] | 0.83 |

Inputs / outputs

Number of inputs and outputs Number of analog outputs: 2

Outputs

| | | |
|--------------------------|------|--------|
| Number of analog outputs | | 2 |
| Analog current output | [mA] | 4...20 |
| Max. load | [Ω] | 500 |
| Precision analog output | [%] | 0,25 |

EIO104



IO-Link master / converter - 4...20 mA

IO-LINK/4-20mA MASTERCONVERTER

| Interfaces | | |
|--------------------------------|--|------------------------------|
| Communication interface | IO-Link | |
| Transmission type | COM1 (4,8 kBaud); COM2 (38,4 kBaud); COM3 (230,4 kBaud) | |
| IO-Link revision | 1.1 | |
| Number of ports class A | 1 | |
| Transmission type | COM2 (38,4 kBaud) | |
| Profiles | Common - I&D | Identification and Diagnosis |
| Min. process cycle time [ms] | 4.2 | |
| Supported DeviceIDs | Type of operation | DeviceID |
| | default | 1398 |
| Operating conditions | | |
| Ambient temperature [°C] | -25...60 | |
| Storage temperature [°C] | -40...70 | |
| Max. relative air humidity [%] | 90; (linearly decreasing to 50 % (40 °C) non condensing) | |
| Protection | IP 67; IP 69K | |
| Tests / approvals | | |
| MTTF [years] | 254 | |
| UL approval | Ta | max. 55 °C |
| | Enclosure type | Type 1 |
| | voltage supply | Low Voltage / Limited Energy |
| | File number UL | E205959 |
| Mechanical data | | |
| Weight [g] | 91.45 | |
| Housing | rectangular | |
| Dimensions [mm] | 62.7 x 30 x 23 | |
| Material | PA; stainless steel (1.4404 / 316L); FKM | |
| Displays / operating elements | | |
| Display | status | 1 x LED, red |
| | Power | 1 x LED, green |
| Remarks | | |
| Remarks | Further information is available in the manual. the device complies with overvoltage category II | |
| Notes | This converter only works in combination with appropriately specified ifm sensors (see device catalog under "Downloads") | |
| Pack quantity | 1 pcs. | |

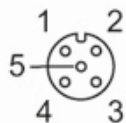
EIO104



IO-Link master / converter - 4...20 mA

IO-LINK/4-20mA MASTERCONVERTER

Electrical connection - Socket



| | |
|---|----------|
| 1 | L+ |
| 2 | not used |
| 3 | L- |
| 4 | IO-Link |
| 5 | not used |

Electrical connection - plug



| | |
|---|-------------------------|
| 1 | L+ |
| 2 | analog output 4...20 mA |
| 3 | L- |
| 4 | analog output 4...20 mA |