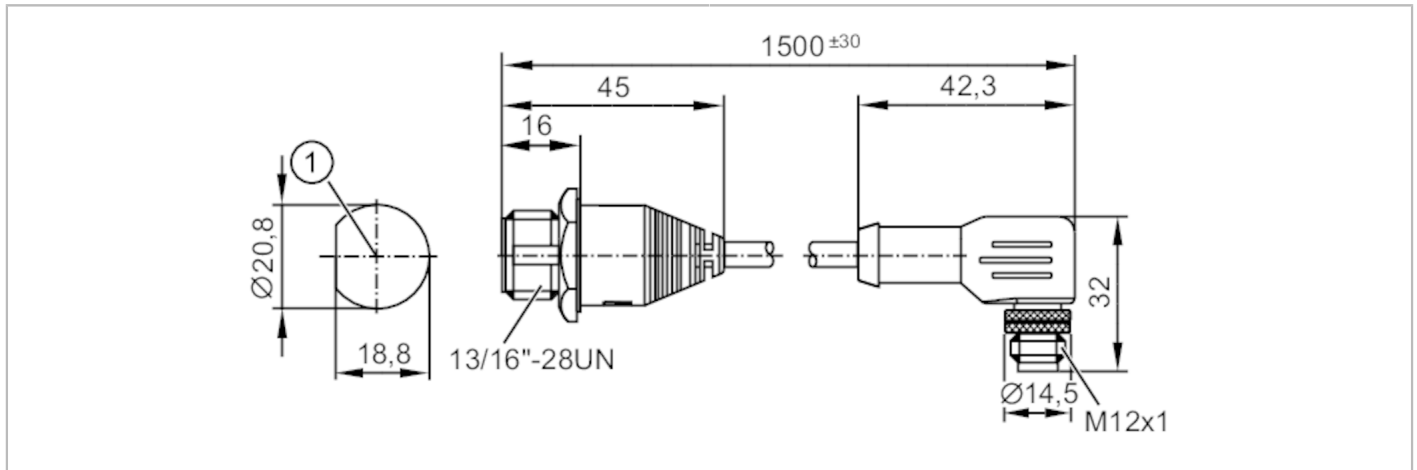


EC9125



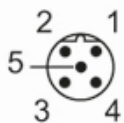
USB-cable connection

R360/Cable/PDM_NG-USB/angled



Application	
System	screened cable
Design	for process and dialog modules PDM360 NG
Application	USB socket for installation in control panel or dashboard
Operating conditions	
Protection	IP 67
Mechanical data	
Weight	[g] 97.8
Accessories	
Items supplied	Protective cap: IP 67, for USB socket
Remarks	
Pack quantity	1 pcs.
Electrical connection - plug	

Connector: 1 x M12, angled; coding: B



EC9125



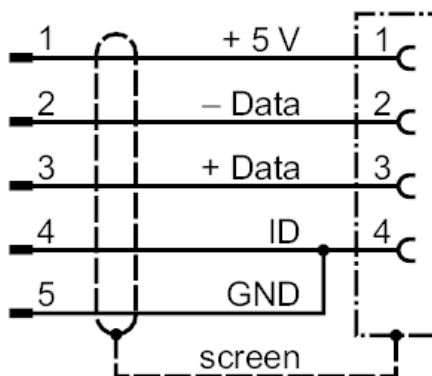
USB-cable connection

R360/Cable/PDM_NG-USB/angled

Electrical connection

Cable: 1.5 m, PVC, black, Ø 5 mm, screened; twisted; 5 x 0.25 mm² / AWG 24

Connection



Electrical connection - USB socket

Connector: 1 x Typ A, straight

