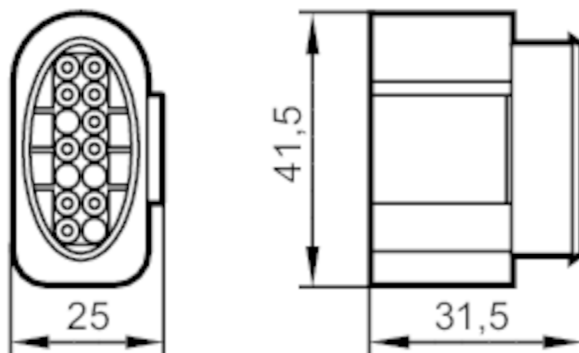


# EC3147



## Connector

Connection Set/14p



### Application

Design straight

### Electrical data

Operating voltage [V] 24 AC/DC

Max. current load total [A] 4

### Mechanical data

Weight [g] 20.5

Material housing: PBT black

### Remarks

Pack quantity 1 pcs.

### Electrical connection

Connector: 1 x

### Electrical connection - plug

Connection