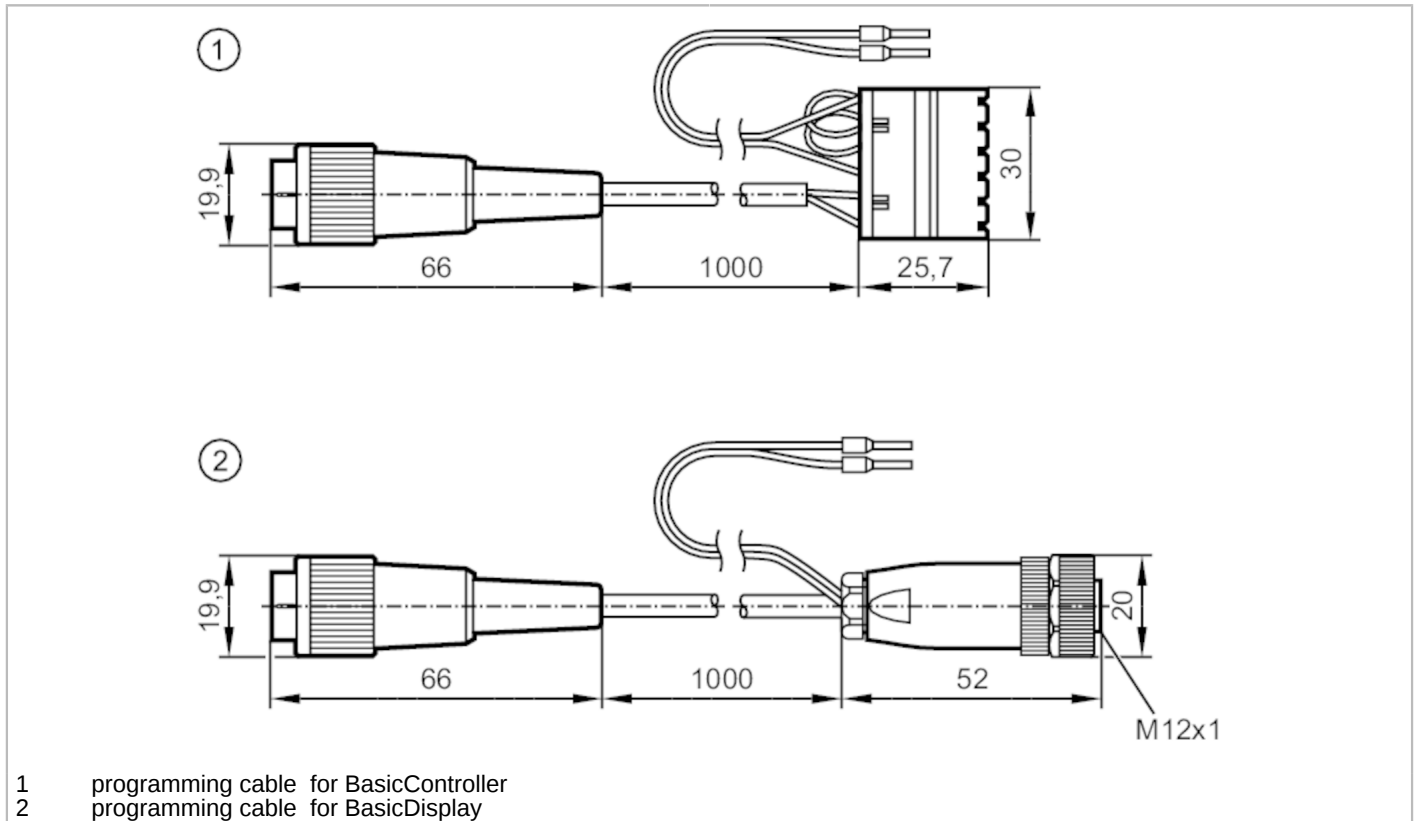


# EC2114



## Programming cable set for CAN interface

R360/CABLE/CANfox-Basic



Application	
Design	for BasicController and BasicDisplay, not suitable for., CR0431
Mechanical data	
Weight	[g] 144.3
Remarks	
Pack quantity	1 pcs.



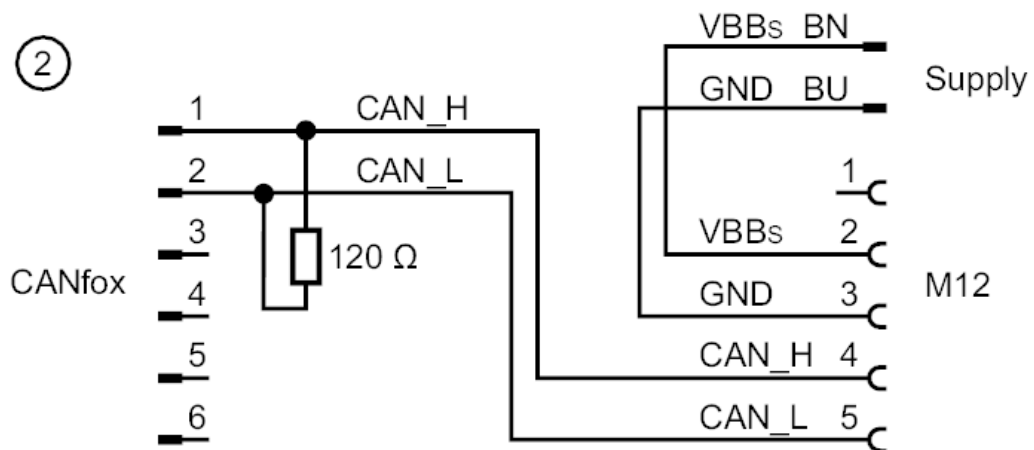
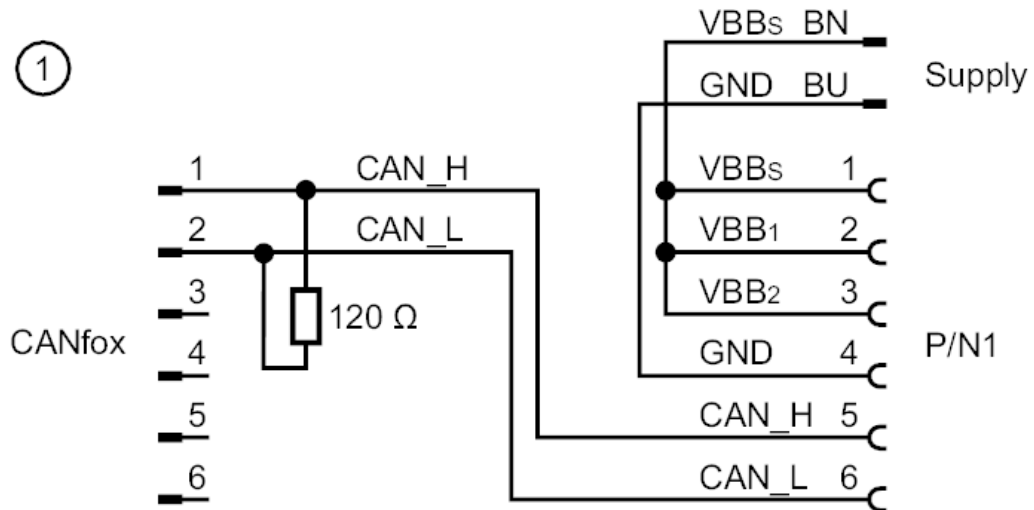
## Programming cable set for CAN interface

R360/CABLE/CANfox-Basic

### Electrical connection

Cable: 1 m, PVC, grey

### Connection



BN brown

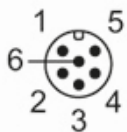
BU blue

1 programming cable for BasicController

2 programming cable for BasicDisplay

### Electrical connection - BasicController 1

Connector: DIN connector



# EC2114



## Programming cable set for CAN interface

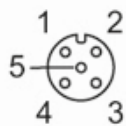
R360/CABLE/CANfox-Basic

### Electrical connection - BasicController 2

Connector: Standard timer contact housing

### Electrical connection - BasicDisplay 1

Connector: M12; coding: A



### Electrical connection - BasicDisplay 2

Connector: DIN connector

