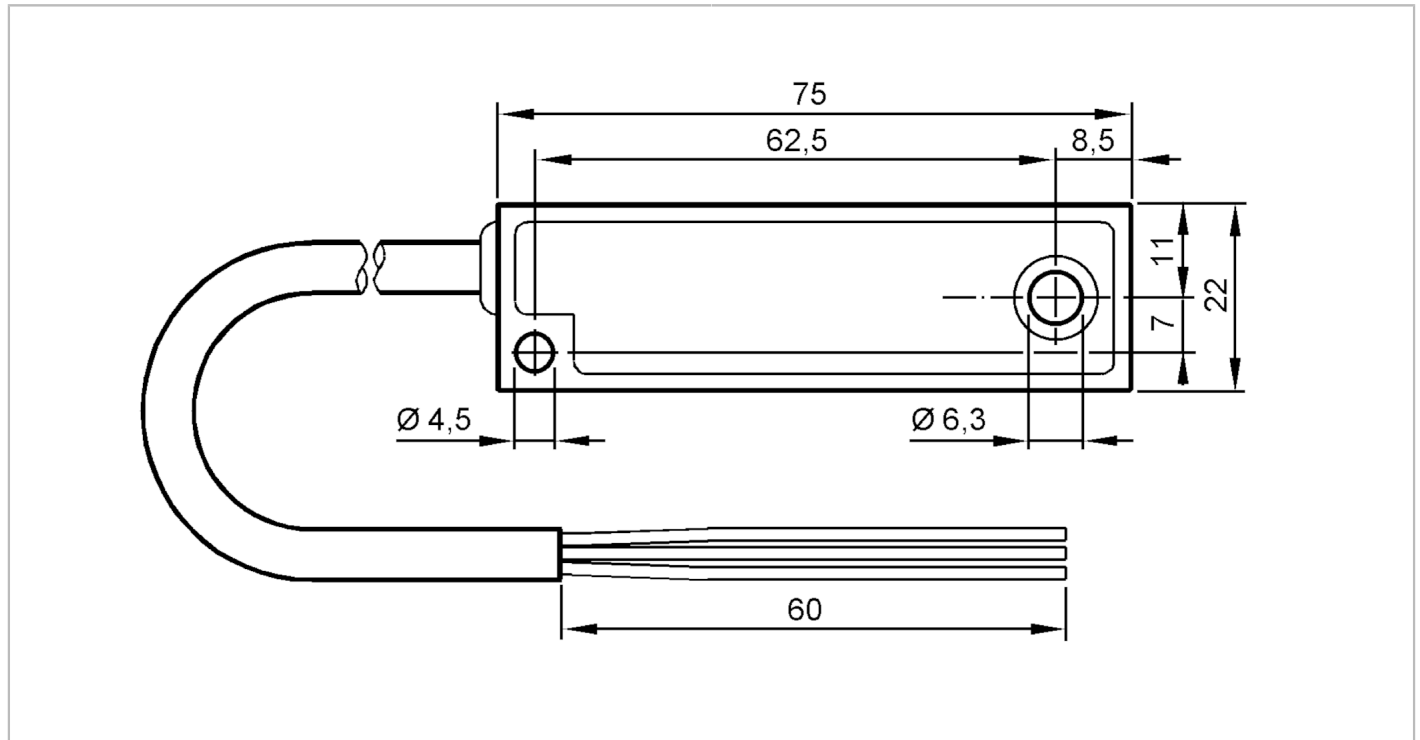


EC2061



Tilt switch

R360/INCLINATION SWITCH



| Product characteristics | |
|-------------------------------|--|
| Number of measurement axes | 1; (Z) |
| Angular range [°] | 1...-6 |
| Housing | rectangular |
| Application | |
| Function principle | static |
| Principle of operation | noble metal with liquid |
| Application | Industrial applications; Mobile applications |
| Electrical data | |
| Operating voltage [V] | 8...30 DC |
| Max. current consumption [mA] | 700 |
| Protection class | III |
| Reverse polarity protection | yes |
| Reverse polarity protection | yes |
| Inputs / outputs | |
| Number of inputs and outputs | Number of digital outputs: 1 |
| Outputs | |
| Output signal | switching signal; (see characteristics) |
| Number of digital outputs | 1 |
| Output function | normally open |

EC2061



Tilt switch

R360/INCLINATION SWITCH

| Measuring/setting range | | |
|----------------------------|---|--|
| Note on setpoint SP | Set point (ON): 0° = horizontal (absolute) installation position Reset point (OFF): -2...-5° (counterclockwise movement of the cable outlet) hysteresis SP and RP: +/- 1° | |
| Number of measurement axes | 1; (Z) | |
| Angular range [°] | 1...-6 | |
| Accuracy / deviations | | |
| Accuracy [°] | 0,2 | |
| Repeatability [°] | <0,2 | |
| Operating conditions | | |
| Ambient temperature [°C] | -30...80 | |
| Storage temperature [°C] | -30...80 | |
| Protection | IP 67 | |
| Tests / approvals | | |
| EMC | EN 61000-4-2 ESD | 4 kV |
| | EN 61000-4-3 HF radiated | 10 V/m |
| | EN 61000-4-4 Burst | 2 kV |
| | EN 61000-4-6 HF conducted | 10 V |
| | EN 61000-6-3 noise emission | class B |
| Shock resistance | EN 60068-2-29 | 30 g 6 ms / 24000 shocks |
| Vibration resistance | DIN EN 60068-2-6 | 10 g (10...500 Hz) / 10 frequency cycles in 3 axes |
| | DIN EN 60068-2-64 | (10...2000 Hz) / 32 hours in 3 axes |
| MTTF [years] | 571 | |
| Mechanical data | | |
| Weight [g] | 226.9 | |
| Housing | rectangular | |
| Type of mounting | Metallbuchse Ø 6,3 mm zur Befestigung des Neigungsschalters Loch Ø 4,5 mm zur Fixierung des Neigungsschalters | |
| Dimensions [mm] | 75 x 22 x 18 | |
| Mounting orientation | Horizontal | |
| Remarks | | |
| Pack quantity | 1 pcs. | |

EC2061



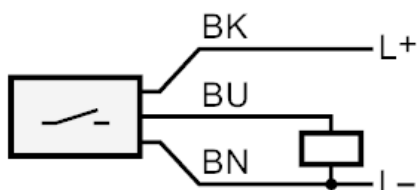
Tilt switch

R360/INCLINATION SWITCH

Electrical connection

Cable: 3.1 m, PVC

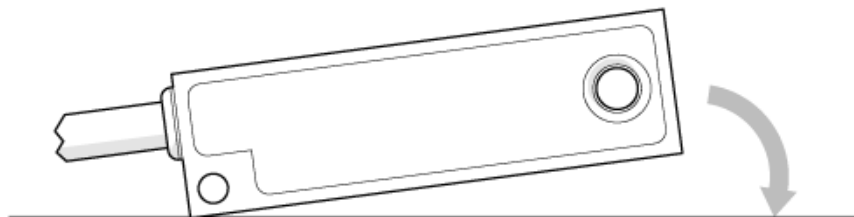
Connection



| | |
|-----|-------|
| L+ | black |
| L- | brown |
| Out | blue |

Diagrams and graphs

measuring and installation direction



horizontal installation position / rotation about z-axis