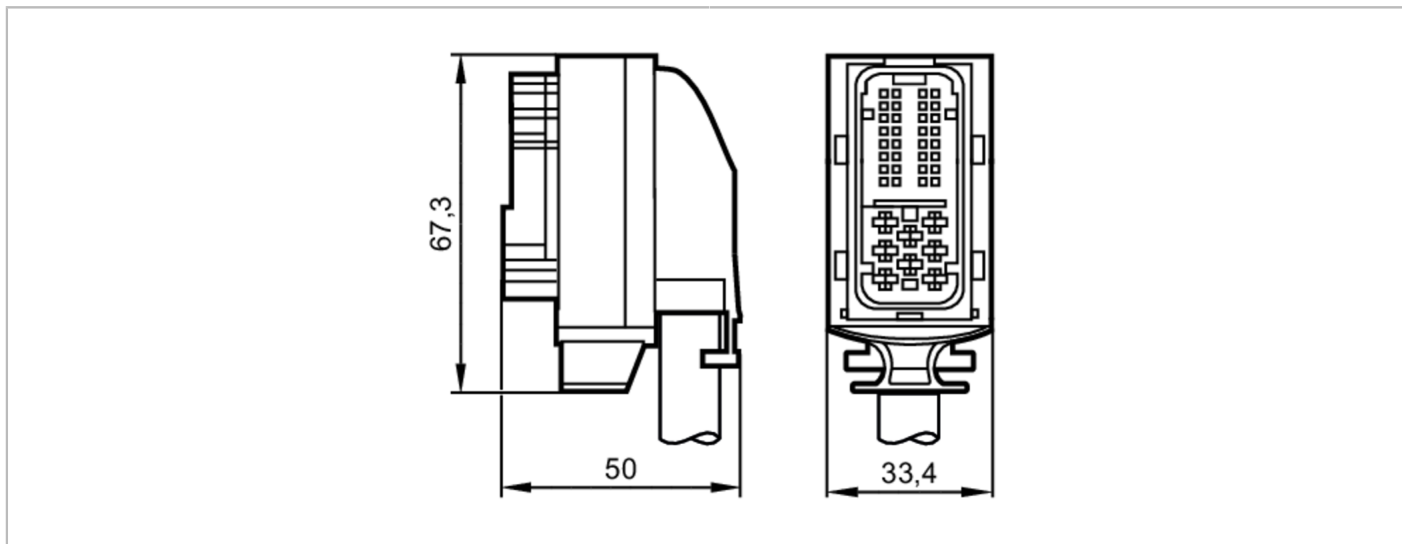


# EC0705



## Connecting cordset with AMP connector

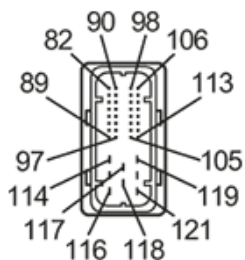
ecomatDisplay/Cable/40p/2.5m



Electrical data		
Operating voltage	[V]	36 DC
Reverse polarity protection		yes
Operating conditions		
Ambient temperature	[°C]	-40...105
Protection		IP 67
Mechanical data		
Weight	[g]	896
Dimensions	[mm]	10 x 10 x 10
Remarks		
Pack quantity		1 pcs.

**Electrical connection**  
 Cable: 2.5 m, PVC; FLRY-B; 32 x 0.5 mm<sup>2</sup> + 5 x 1.0 mm<sup>2</sup> + 3 x 2.5 mm<sup>2</sup>

**Electrical connection - AMP connector**  
 Connector: 1 x AMP-Junior Timer; Moulded body: PBT, black





## Connecting cordset with AMP connector

ecomatDisplay/Cable/40p/2.5m

Video	
1: 82	VIDEO3_GND
2: 90	VIDEO3_SIGNAL
3: 98	VIDEO0_GND
4: 106	VIDEO0_SIGNAL
5: 99	VIDEO1_GND
6: 107	VIDEO1_SIGNAL
7: 100	VIDEO2_GND
8: 108	VIDEO2_SIGNAL
ifm / Service	
9: 83	IFM0-
10: 91	IFM0+
11: 88	IFM1-
12: 96	IFM1+
13: 89	SERVICE1
14: 97	SERVICE0
CAN	
15: 84	CAN0_L
16: 92	CAN0_H
17: 85	CAN1_L
18: 93	CAN1_H
19: 86	CAN2_L
20: 94	CAN2_H
21: 87	CAN3_L
22: 95	CAN3_H
Audio / Head / WAKEUP	
23: 101	AUDIO_IN_R
24: 109	AUDIO_IN_L
25: 102	AUDIO_GND
26: 110	WAKEUP
27: 103	HEAD_OUT_R
28: 111	HEAD_OUT_L
29: 104	AUDIO_R-
30: 112	AUDIO_R+
31: 105	AUDIO_L-
32: 113	AUDIO_L+
VBB / GND / IN / OUT	
33: 114	VBB0
34: 119	VBB15
35: 120	GND
36: 121	VBB30
37: 115	IN0
38: 116	IN1
39: 117	OUT0
40: 118	OUT1