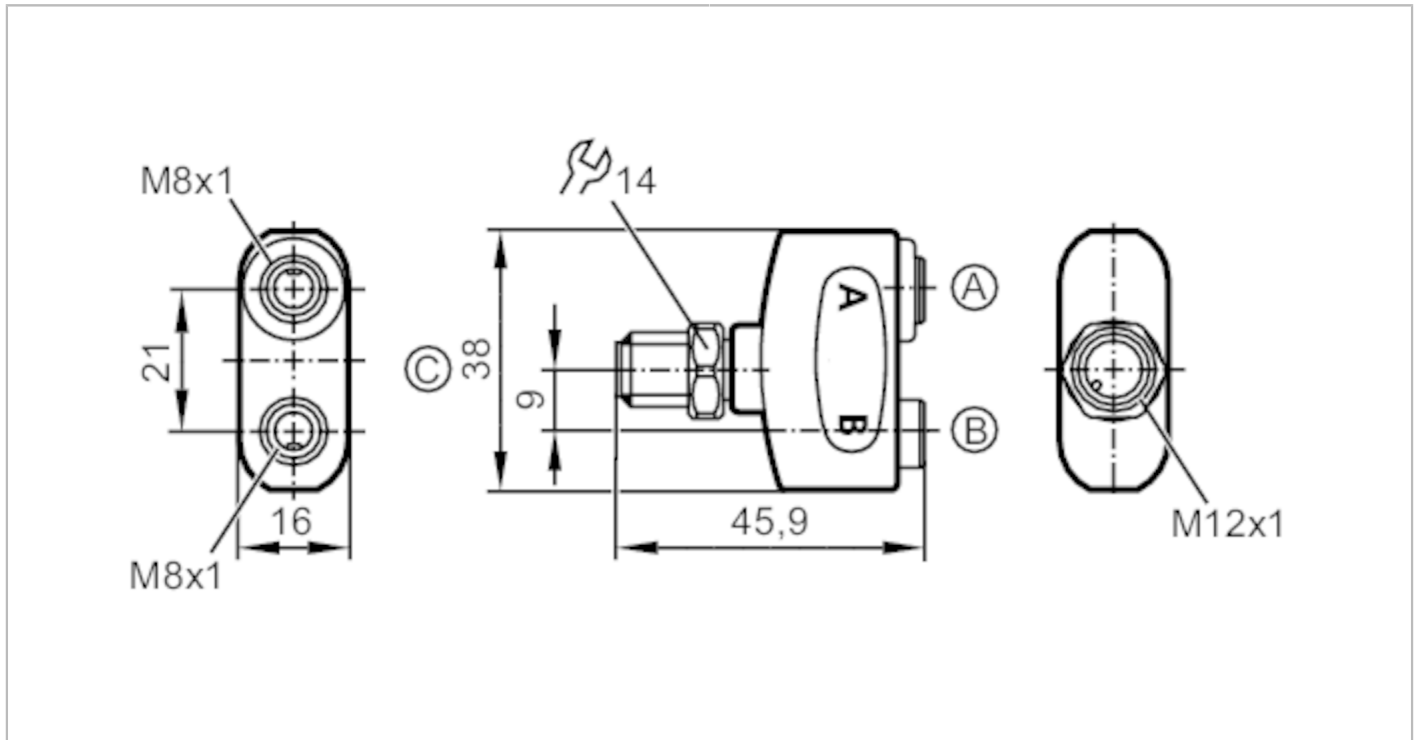


# EBT012



## Y/T splitter

ZDO2F030VAS0000-00STGH040VAS



Application		
System	Free from silicone; gold-plated contacts	
Free from silicone	yes	
Electrical data		
Operating voltage	[V]	< 50 AC / < 60 DC; (cULus: 30 AC / 42 DC)
Protection class		III
Max. current load total	[A]	3
Operating conditions		
Ambient temperature	[°C]	-25...80
Note on ambient temperature		cULus: ...65 °C
Protection		IP 65; IP 67; IP 68; IP 69K
Tests / approvals		
UL approval	voltage supply	Class 2
	File number UL	E191684
Mechanical data		
Weight	[g]	28.9
Material		housing: PA orange Halogen-free
Material nut		stainless steel (1.4404 / 316L)
Sealing material		EPDM
Remarks		
Pack quantity		1 pcs.

# EBT012



## Y/T splitter

ZDO2F030VAS0000-00STGH040VAS

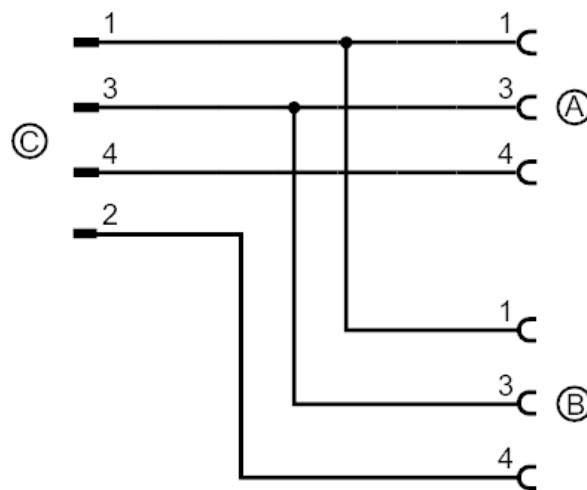
### Electrical connection - plug C

Connector: 1 x M12; coding: A; Locking: stainless steel (1.4404 / 316L); Contacts: gold-plated; Tightening torque: 0.6...1.5 Nm; Take into account the maximum value of the counterpart!



### Electrical connection

#### Connection



### Electrical connection - Socket A/B

Connector: 2 x M8; coding: A; Locking: stainless steel (1.4404 / 316L); sealing: EPDM; Contacts: gold-plated; Tightening torque: 0.3...0.5 Nm

