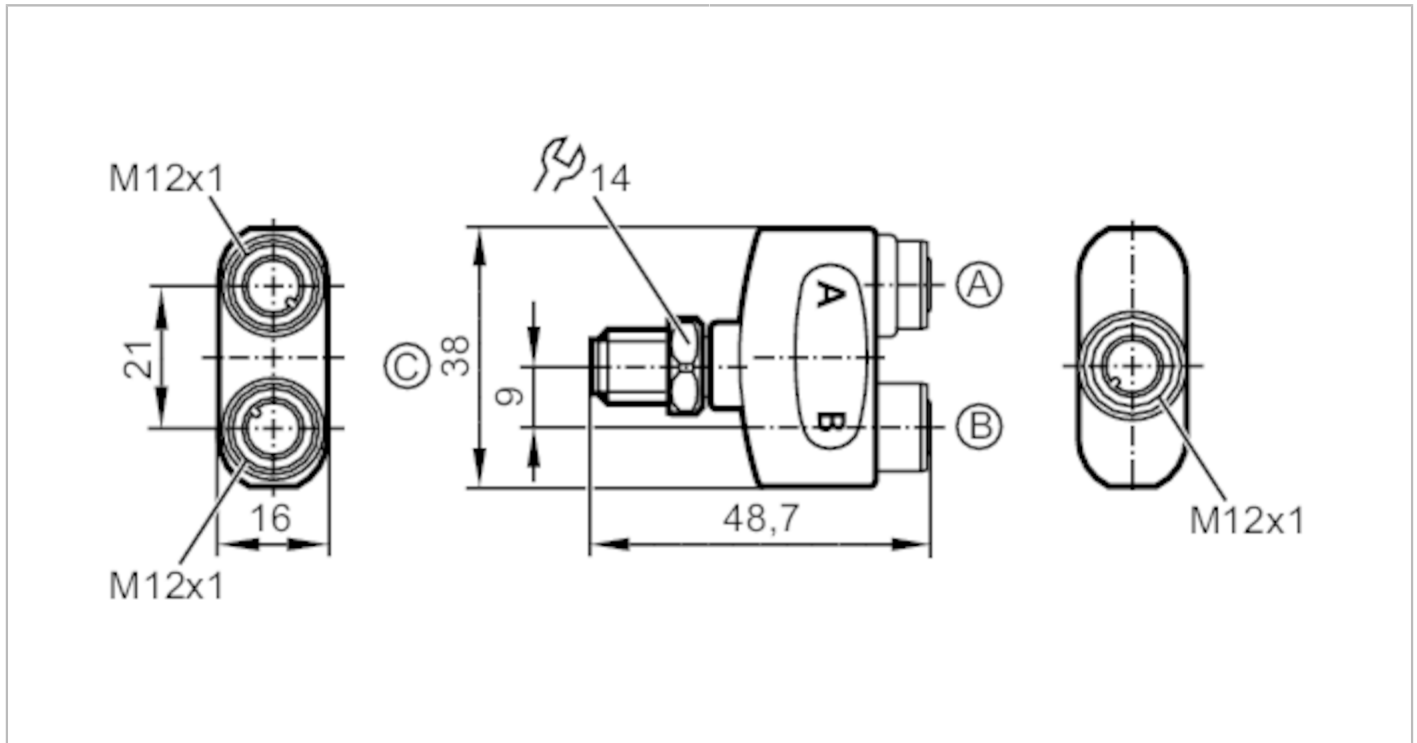


EBT010



Y/T splitter

ZDO2H040VAS0000-00STGH050VAS



Application		
System	Free from silicone; gold-plated contacts	
Free from silicone	yes	
Electrical data		
Operating voltage	[V]	< 60 AC/DC; (cULus: 30 AC / 42 DC)
Protection class		II
Max. current load per module/slot	[A]	4
Max. current load total	[A]	4
Operating conditions		
Ambient temperature	[°C]	-25...100
Note on ambient temperature		cULus: ...65 °C
Storage temperature	[°C]	-25...55
Storage humidity	[%]	10...100
Other climatic conditions for storage according to stated class		1K22/ DIN 60721-3-1
Protection		IP 65; IP 67; IP 68; IP 69K
Tests / approvals		
UL approval	voltage supply	Class 2
	File number UL	E191684
Mechanical data		
Weight	[g]	35.7
Material		housing: PA orange

EBT010



Y/T splitter

ZDO2H040VAS0000-00STGH050VAS

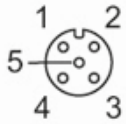
Material nut	stainless steel (1.4404 / 316L)
Sealing material	EPDM

Remarks

Pack quantity	1 pcs.
---------------	--------

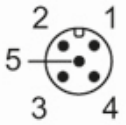
Electrical connection - Socket

Connector: 2 x M12; coding: A; Locking: stainless steel (1.4404 / 316L); sealing: EPDM; Contacts: gold-plated; Tightening torque: 0.6...1.5 Nm

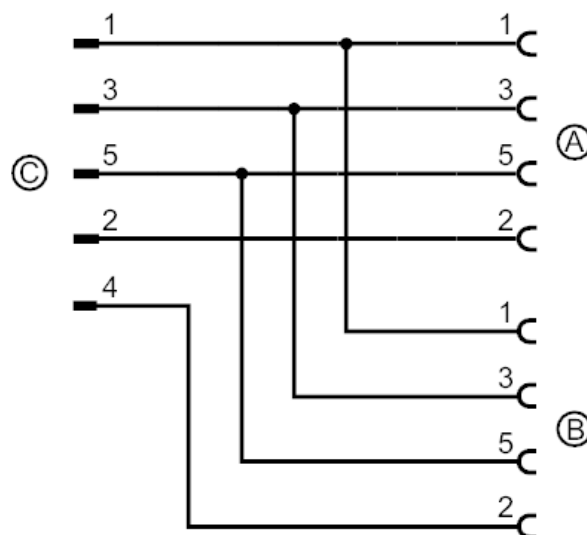


Electrical connection - plug

Connector: 1 x M12; coding: A; Locking: stainless steel (1.4404 / 316L); Contacts: gold-plated; Tightening torque: 0.6...1.5 Nm



Connection



Connection to IEC 61076-2-101