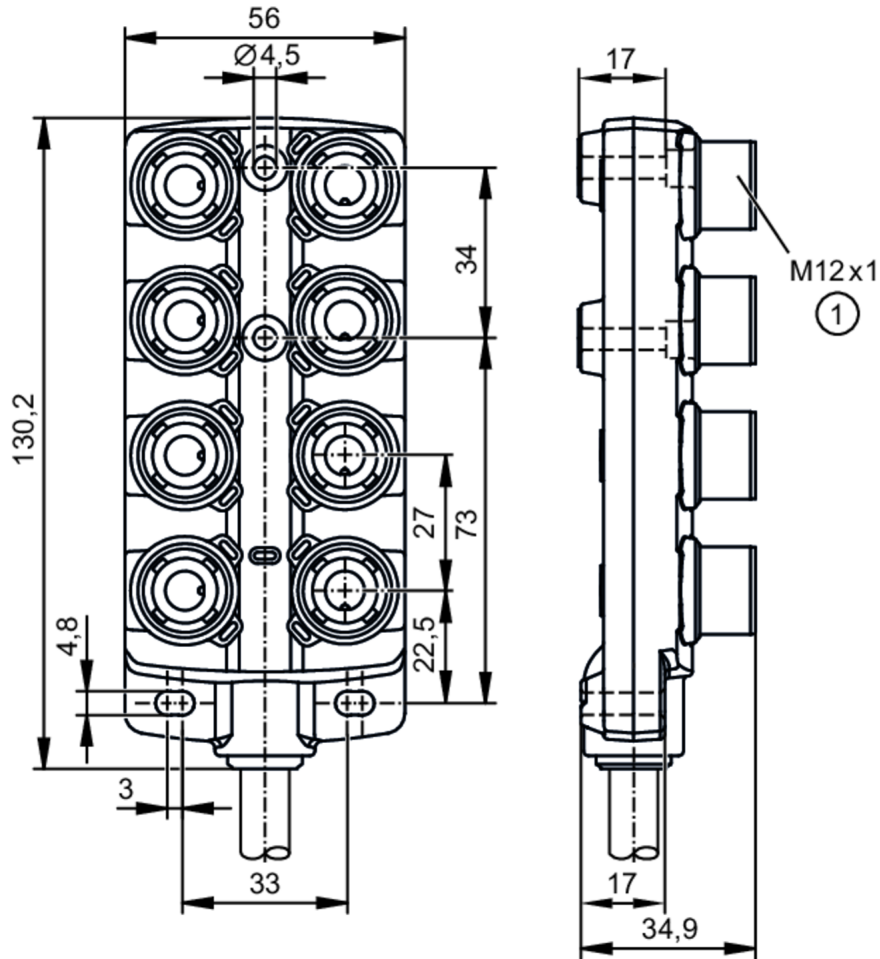


EBF024



Wiring block

FDO8H049VAS0015P11



1 Fast Connect



Application

System	Free from silicone; Halogen-free; gold-plated contacts; Drag chain suitability
Application	sanitary and wet areas in the food industry
Free from silicone	yes

Electrical data

Operating voltage	[V]	< 30 DC
Protection class		II
Max. current load per module/slot	[A]	4
Max. current load total	[A]	12

Outputs

Electrical design	PNP
-------------------	-----

Operating conditions

Ambient temperature	[°C]	-25...80
Ambient temperature (moving)	[°C]	-5...60
Protection		IP 65; IP 67; IP 68; IP 69K

EBF024



Wiring block

FDO8H049VAS0015P11

Mechanical data		
Weight [g]	1695.8	
Housing	rectangular	
Type of mounting	Backplane mounting	
Dimensions [mm]	130.2 x 56 x 34.9	
Material	housing: PA	
Material nut	stainless steel (1.4404 / 316L)	
Sealing material	EPDM	
Number of ports splitter box	8	
Connector type	M12	
Drag chain suitability	yes	
Drag chain suitability	Bending radius for flexible applications	min. 10 x cable diameter
	Bending radius for fixed installation	min. 5 x cable diameter
	Travel speed	max. 3 m/s at 5 m horizontal travel length and max. acceleration of 5 m/s ²
	Bending cycles	> 1 Mio.
	Torsional strain	± 30 °/m

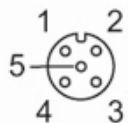
Displays / operating elements		
Display	Switching status	8 x LED, yellow
	Power	1 x LED, green

Accessories	
Items supplied	Protective caps: 1

Remarks	
Pack quantity	1 pcs.

Electrical connection	
Cable: 15 m, MPPE PE, Halogen-free, grey, Ø 8.2 mm; 8 x 0.34 mm ² (42 x Ø 0.1 mm) + 3 x 1.00 mm ² (56 x Ø 0.15 mm)	

Electrical connection - slot	
Connector: 8 x M12; coding: A; Locking: stainless steel (1.4404 / 316L); sealing: EPDM; Contacts: gold-plated; Fast Connect	



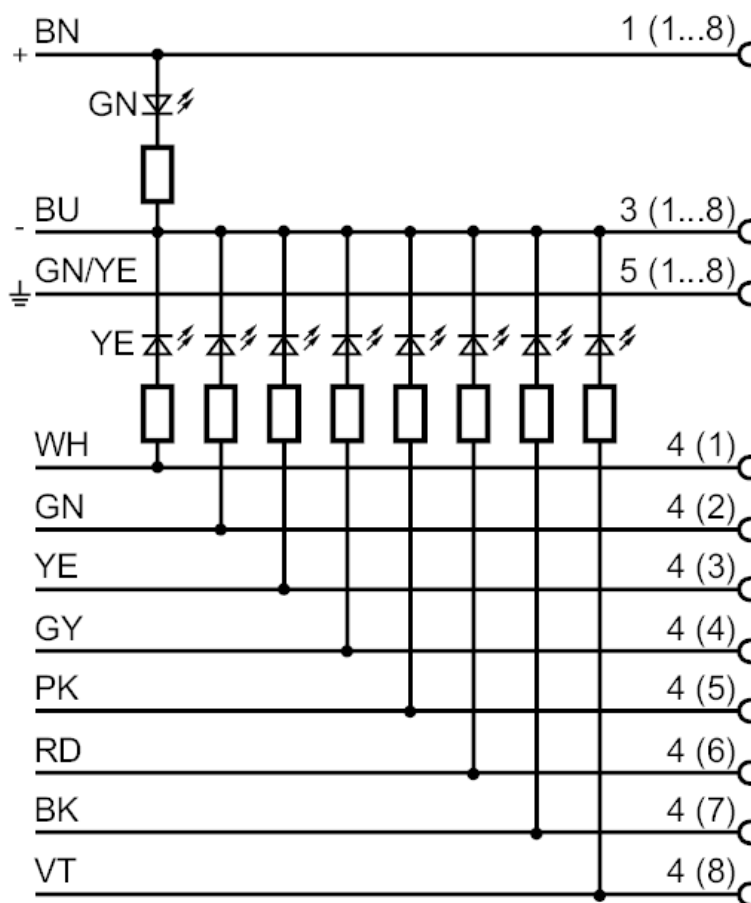
EBF024



Wiring block

FDO8H049VAS0015P11

Connection



	Core colors :
BK =	black
BN =	brown
BU =	blue
GN =	green
GY =	grey
PK =	pink
RD =	red
VT =	lilac
WH =	white
YE =	yellow