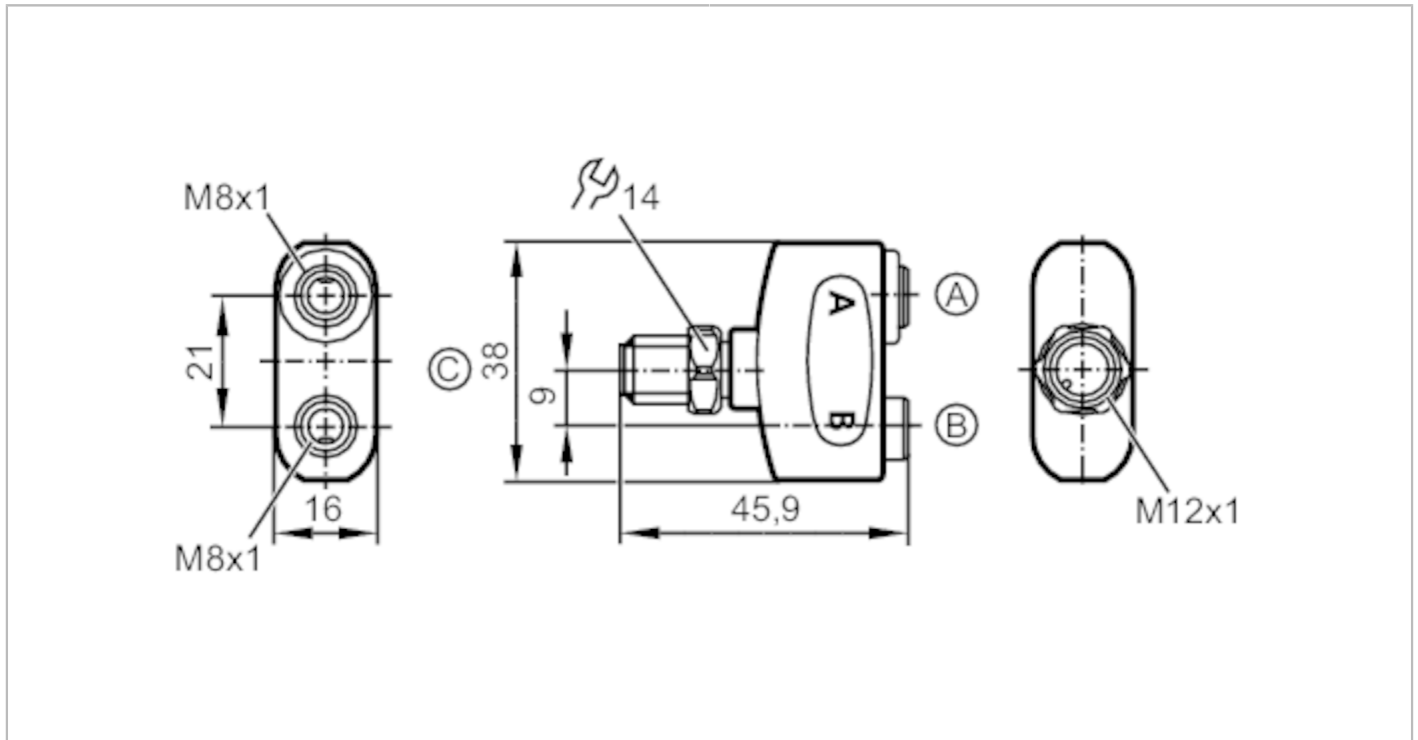


EBF012



Y/T splitter

ZDO2F030VAS0000-00STGH040VAS



| Application | | |
|-----------------------------|--|---|
| System | Free from silicone; gold-plated contacts | |
| Free from silicone | yes | |
| Electrical data | | |
| Operating voltage | [V] | < 50 AC / < 60 DC; (cULus: 30 AC / 42 DC) |
| Protection class | | III |
| Max. current load total | [A] | 3 |
| Operating conditions | | |
| Ambient temperature | [°C] | -25...80 |
| Note on ambient temperature | | cULus: ...65 °C |
| Protection | | IP 65; IP 67; IP 68; IP 69K |
| Tests / approvals | | |
| UL approval | voltage supply | Class 2 |
| | File number UL | E191684 |
| Mechanical data | | |
| Weight | [g] | 28.7 |
| Material | | housing: PA grey; Halogen-free |
| Material nut | | stainless steel (1.4404 / 316L) |
| Sealing material | | EPDM |
| Remarks | | |
| Pack quantity | | 1 pcs. |

EBF012



Y/T splitter

ZDO2F030VAS0000-00STGH040VAS

Electrical connection

, PUR; flame-retardant (IEC 60332-2, UL: FT2)

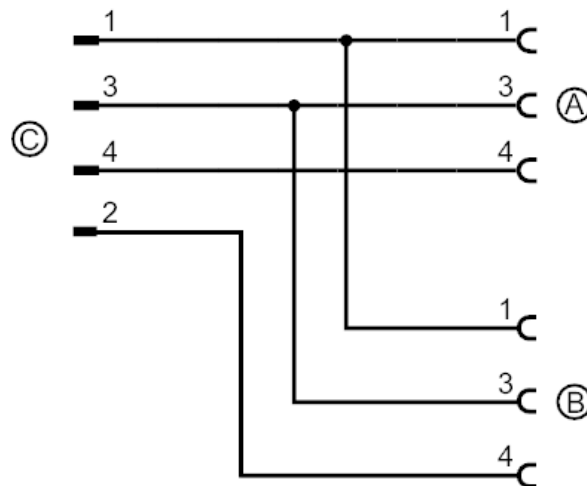
Electrical connection - plug

Connector: 1 x M12; coding: A; Locking: stainless steel (1.4404 / 316L); Contacts: gold-plated; Tightening torque: 0.6...1.5 Nm; Take into account the maximum value of the counterpart!



Electrical connection

Connection



Electrical connection - Socket

Connector: 2 x M8; coding: A; Locking: stainless steel (1.4404 / 316L); sealing: EPDM; Contacts: gold-plated; Tightening torque: 0.3...0.5 Nm

