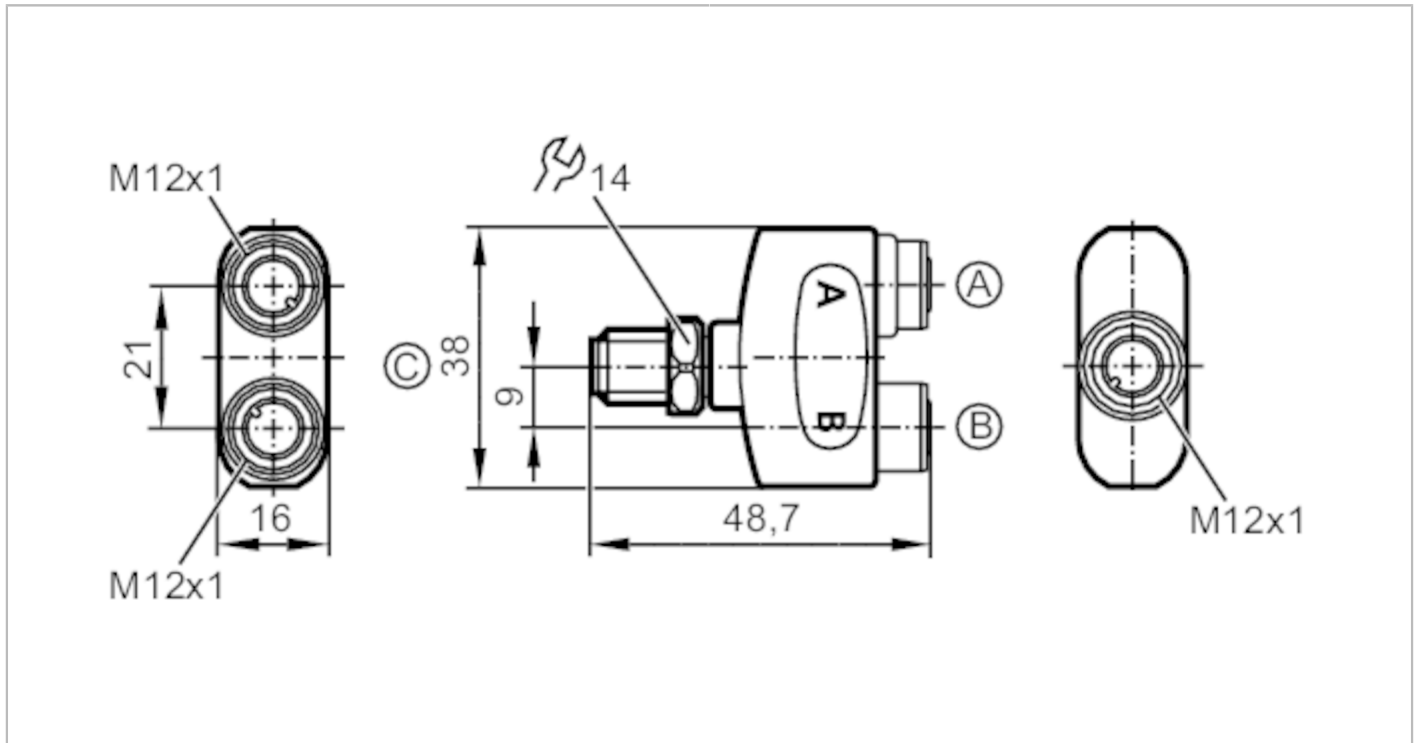


# EBF010



## Y/T splitter

ZDO2H040VAS0000-00STGH050VAS



Application	
System	Free from silicone; gold-plated contacts
Free from silicone	yes
Electrical data	
Operating voltage [V]	< 60 AC/DC; (cULus: 30 AC / 42 DC)
Protection class	II
Max. current load per module/slot [A]	4
Max. current load total [A]	4
Operating conditions	
Ambient temperature [°C]	-25...100
Note on ambient temperature	cULus: ...65 °C
Storage temperature [°C]	-25...55
Storage humidity [%]	10...100
Other climatic conditions for storage according to stated class	1K22/ DIN 60721-3-1
Protection	IP 65; IP 67; IP 68; IP 69K
Tests / approvals	
UL approval	voltage supply Class 2 File number UL E191684
Mechanical data	
Weight [g]	56.3
Material	housing: PA Halogen-free

# EBF010



## Y/T splitter

ZDO2H040VAS0000-00STGH050VAS

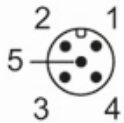
Material nut	stainless steel (1.4404 / 316L)
Sealing material	EPDM

### Remarks

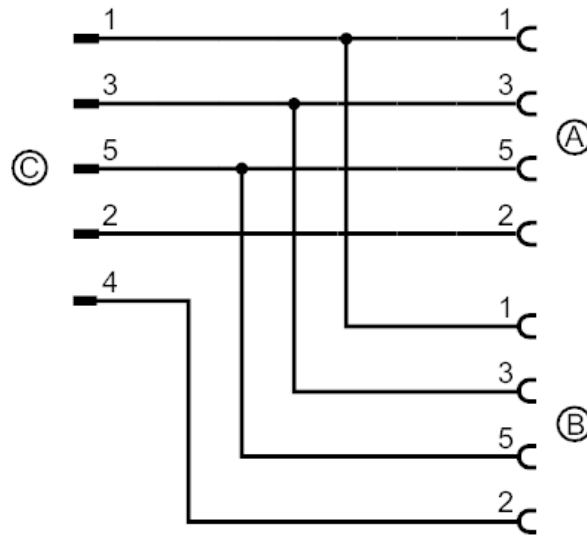
Pack quantity	1 pcs.
---------------	--------

### Electrical connection - plug C

Connector: 1 x M12; coding: A; Locking: stainless steel (1.4404 / 316L); Contacts: gold-plated; Tightening torque: 0.6...1.2 Nm



### Connection



Connection to IEC 61076-2-101

### Electrical connection - Socket A/B

Connector: 2 x M12; coding: A; Locking: stainless steel (1.4404 / 316L); sealing: EPDM; Contacts: gold-plated; Tightening torque: 0.6...1.5 Nm

