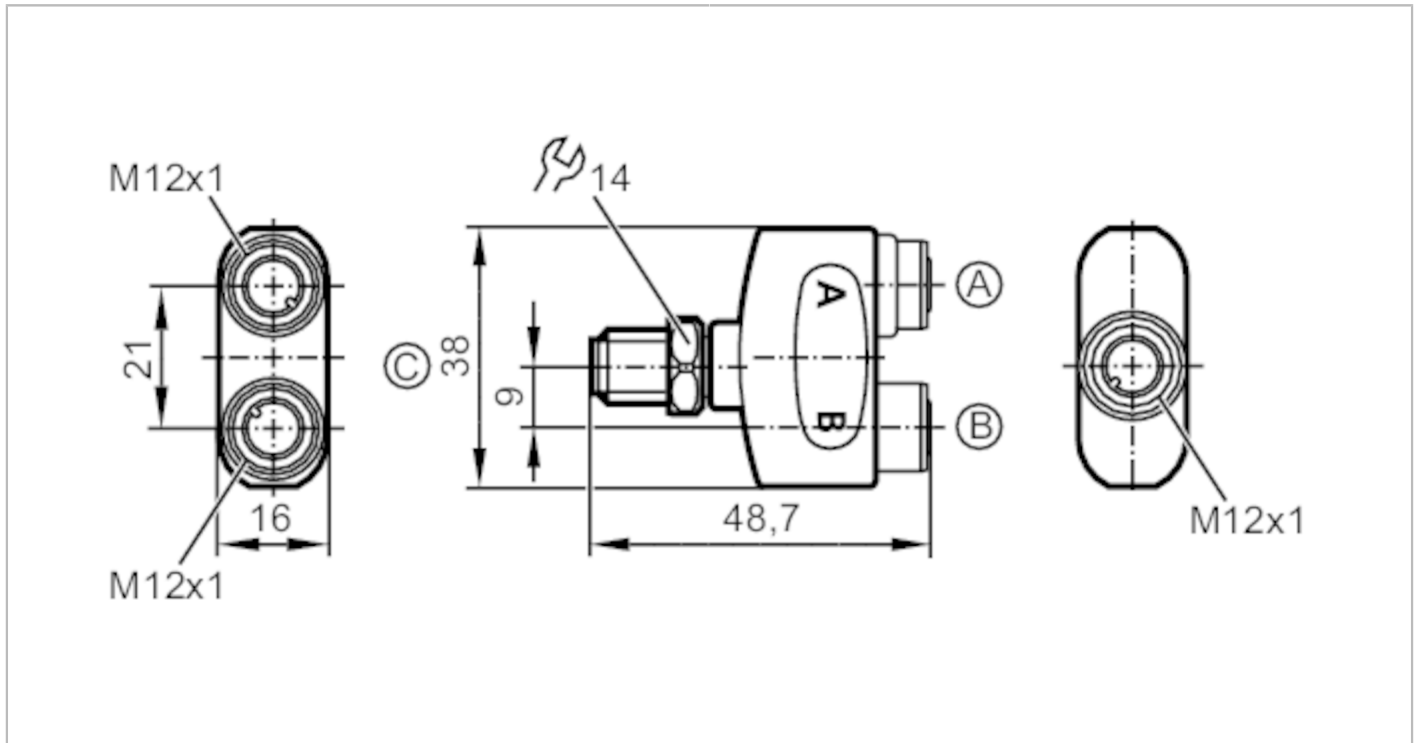


EBF009



Y/T splitter

ZDO2H050VAS0000-00STGH050VAS



Application		
System		Free from silicone; gold-plated contacts
Application		logic OR function
Free from silicone		yes
Electrical data		
Operating voltage	[M]	< 60 AC/DC; (cULus: 30 AC / 42 DC)
Protection class		II
Max. current load per module/slot	[A]	4
Max. current load total	[A]	4
Overall current rating (UL)	[A]	3
Operating conditions		
Ambient temperature	[°C]	-25...100
Note on ambient temperature		cULus: ...65 °C
Storage temperature	[°C]	-25...55
Storage humidity	[%]	10...100
Other climatic conditions for storage according to stated class		1K22/ DIN 60721-3-1
Protection		IP 65; IP 67; IP 68; IP 69K
Tests / approvals		
UL approval	voltage supply	Class 2
	File number UL	E191684

EBF009



Y/T splitter

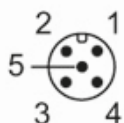
ZDO2H050VAS0000-00STGH050VAS

Mechanical data	
Weight [g]	33.9
Molded-body material	PA, Halogen-free
Material nut	stainless steel (1.4404 / 316L)
Sealing material	EPDM

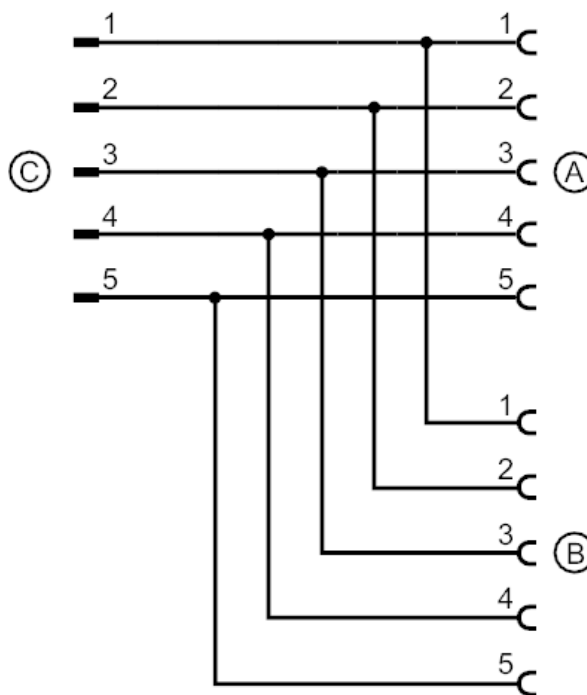
Remarks	
Pack quantity	1 pcs.

Electrical connection - plug C

Connector: 1 x M12; coding: A; Moulded body: PA, Halogen-free; Locking: stainless steel (1.4404 / 316L); Contacts: gold-plated; Tightening torque: 0.6...1.2 Nm



Connection



Connection to IEC 61076-2-101

EBF009



Y/T splitter

ZDO2H050VAS0000-00STGH050VAS

Electrical connection - Socket A/B

Connector: 2 x M12; coding: A; Moulded body: PA, Halogen-free; Locking: stainless steel (1.4404 / 316L); sealing: EPDM; Contacts: gold-plated; Tightening torque: 0.6...1.5 Nm

