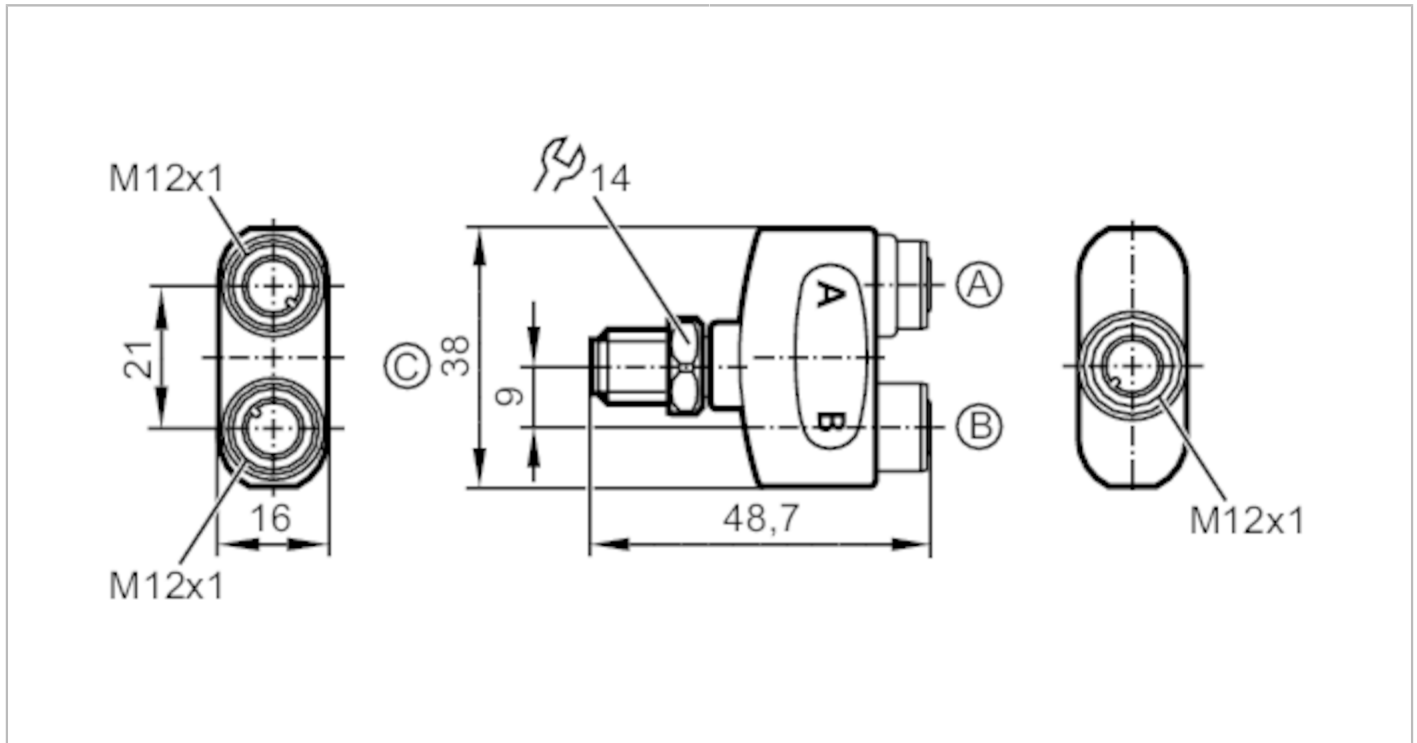


# EBF008



## Y/T splitter

ZDO2H040VAS0000-00STGH050VAS



Application		
System	Free from silicone; gold-plated contacts	
Free from silicone	yes	
Electrical data		
Operating voltage [V]	< 60 AC/DC; (cULus: 30 AC / 42 DC)	
Protection class	II	
Max. current load per module/slot [A]	4	
Max. current load total [A]	4	
Operating conditions		
Ambient temperature [°C]	-25...100	
Note on ambient temperature	cULus: ...65 °C	
Storage temperature [°C]	-25...55	
Storage humidity [%]	10...100	
Other climatic conditions for storage according to stated class	1K22/ DIN 60721-3-1	
Protection	IP 65; IP 67; IP 68; IP 69K	
Tests / approvals		
UL approval	voltage supply	Class 2
	File number UL	E191684
Mechanical data		
Weight [g]	34.2	
Molded-body material	PA, Halogen-free	

# EBF008



## Y/T splitter

ZDO2H040VAS0000-00STGH050VAS

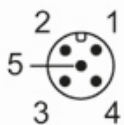
Material nut	stainless steel (1.4404 / 316L)
Sealing material	EPDM

### Remarks

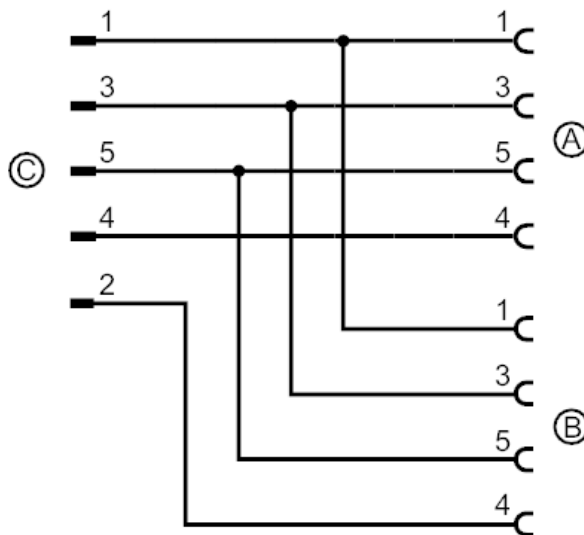
Pack quantity	1 pcs.
---------------	--------

### Electrical connection - plug C

Connector: 1 x M12; coding: A; Moulded body: PA, Halogen-free; Locking: stainless steel (1.4404 / 316L); Contacts: gold-plated; Tightening torque: 0.6...1.2 Nm



### Connection



Connection to IEC 61076-2-101

### Electrical connection - Socket A/B

Connector: 2 x M12; coding: A; Moulded body: PA, Halogen-free; Locking: stainless steel (1.4404 / 316L); sealing: EPDM; Contacts: gold-plated; Tightening torque: 0.6...1.5 Nm

