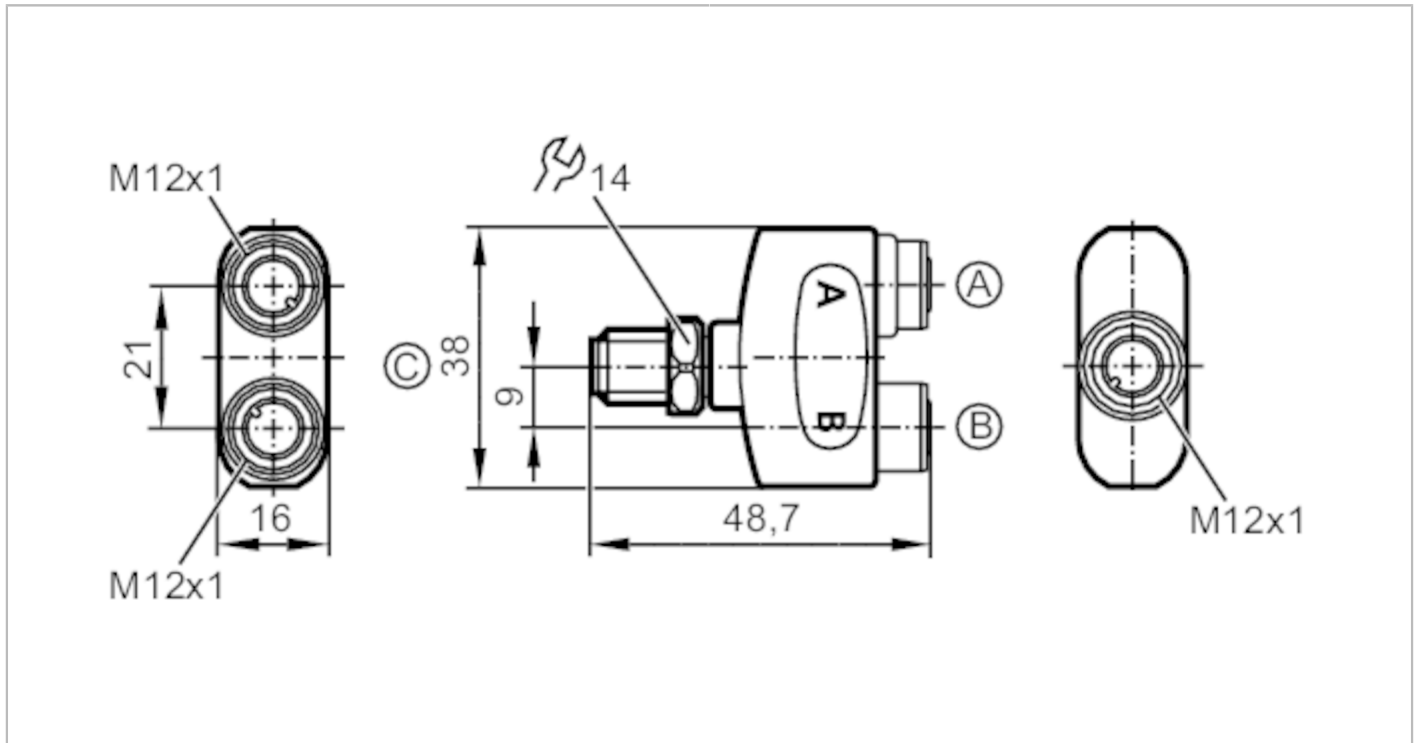


EBF007



Y/T splitter

ZDO2H050VAS0000-00STGH050VAS



| Application | | |
|---|--|---------|
| System | Free from silicone; gold-plated contacts | |
| Free from silicone | yes | |
| Electrical data | | |
| Operating voltage [V] | < 60 AC/DC; (cULus: 30 AC / 42 DC) | |
| Protection class | II | |
| Max. current load per module/slot [A] | 4 | |
| Max. current load total [A] | 4 | |
| Overall current rating (UL) [A] | 3 | |
| Operating conditions | | |
| Ambient temperature [°C] | -25...100 | |
| Note on ambient temperature | cULus: ...65 °C | |
| Storage temperature [°C] | -25...55 | |
| Storage humidity [%] | 10...100 | |
| Other climatic conditions for storage according to stated class | 1K22/ DIN 60721-3-1 | |
| Protection | IP 65; IP 67; IP 68; IP 69K | |
| Tests / approvals | | |
| UL approval | voltage supply | Class 2 |
| | File number UL | E191684 |
| Mechanical data | | |
| Weight [g] | 34.1 | |

EBF007



Y/T splitter

ZDO2H050VAS0000-00STGH050VAS

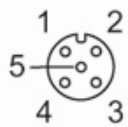
| | |
|----------------------|---|
| Material | housing: PA Halogen-free; sealing: EPDM |
| Molded-body material | PA, Halogen-free |
| Material nut | stainless steel (1.4404 / 316L) |

Remarks

| | |
|---------------|--------|
| Pack quantity | 1 pcs. |
|---------------|--------|

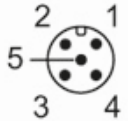
Electrical connection - Socket

Connector: 2 x M12; coding: A; Moulded body: PA, Halogen-free; Locking: stainless steel (1.4404 / 316L); Contacts: gold-plated; Tightening torque: 0.6...1.5 Nm



Electrical connection - plug

Connector: 1 x M12; coding: A; Moulded body: PA, Halogen-free; Locking: stainless steel (1.4404 / 316L); Contacts: gold-plated; Tightening torque: 0.6...1.2 Nm



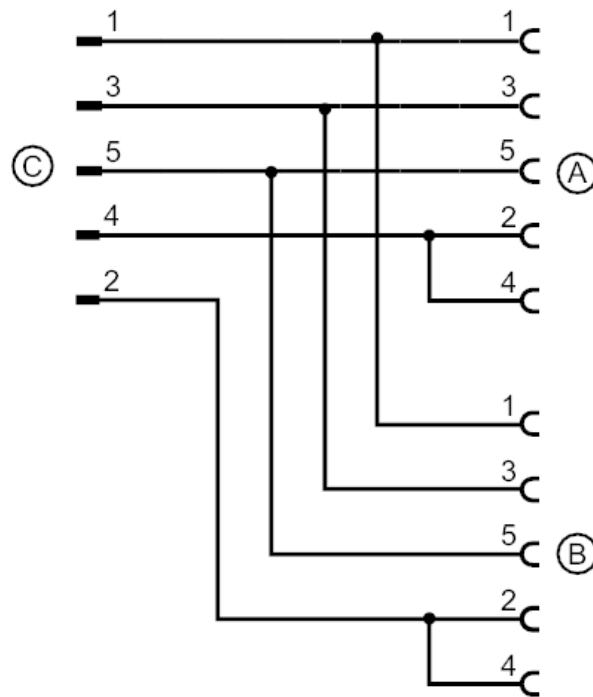
EBF007



Y/T splitter

ZDO2H050VAS0000-00STGH050VAS

Connection



Connection to IEC 61076-2-101