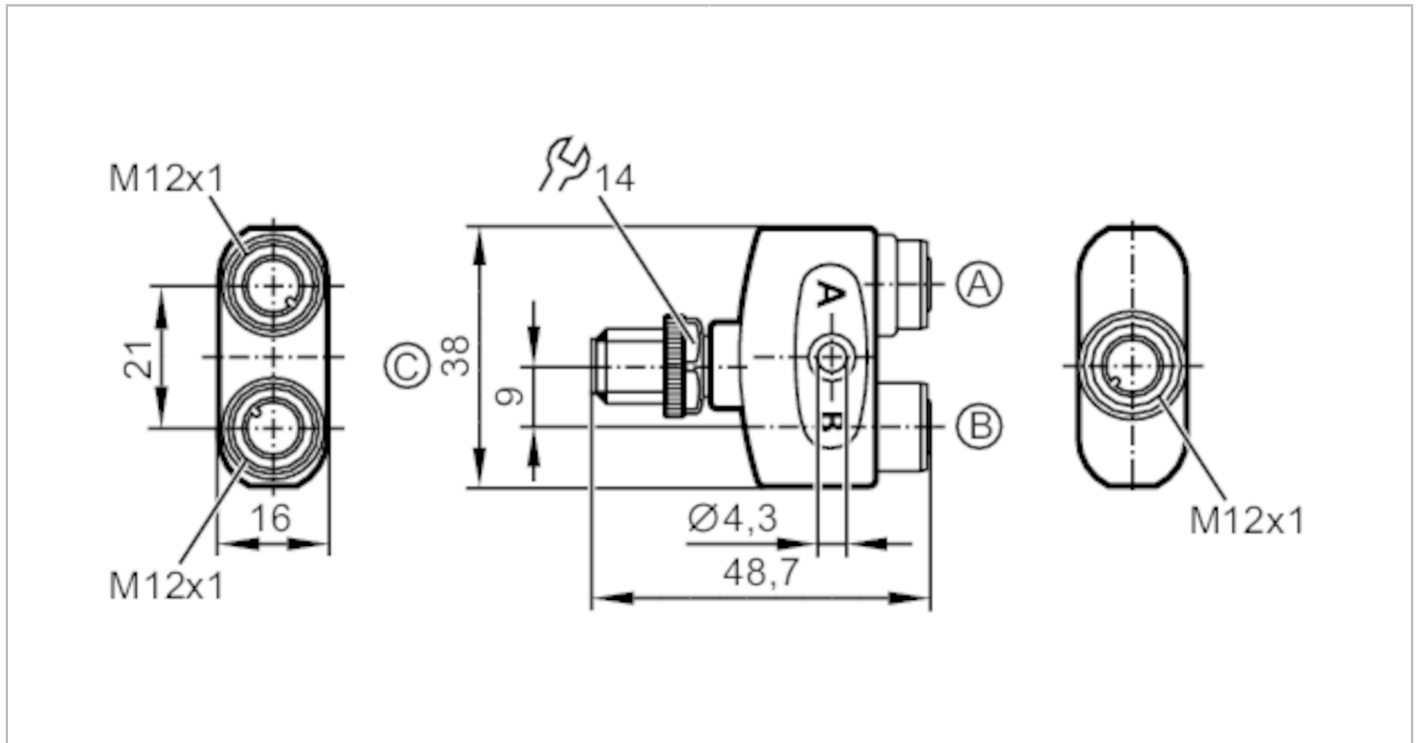


EBC117



Y/T splitter

ZDO2H040MSS0000-00STGH050MSS



| Application | |
|---|--|
| System | Free from silicone; gold-plated contacts |
| Free from silicone | yes |
| Electrical data | |
| Operating voltage [V] | < 60 AC/DC; (cULus: 30 AC / 42 DC) |
| Protection class | II |
| Max. current load per module/slot [A] | 4 |
| Max. current load total [A] | 4 |
| Operating conditions | |
| Ambient temperature [°C] | -25...90 |
| Note on ambient temperature | cULus: ...65 °C |
| Storage temperature [°C] | -25...55 |
| Storage humidity [%] | 10...100 |
| Other climatic conditions for storage according to stated class | 1K22/ DIN 60721-3-1 |
| Protection | IP 65; IP 67; IP 68; IP 69K |
| Mechanical data | |
| Weight [g] | 37.2 |
| Molded-body material | PA |
| Material nut | brass, nickel-plated |
| Sealing material | FKM |

EBC117



Y/T splitter

ZDO2H040MSS0000-00STGH050MSS

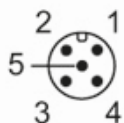
Remarks

Pack quantity

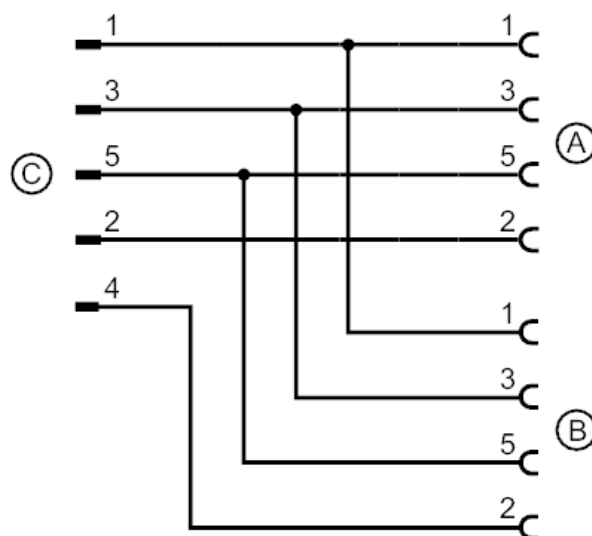
1 pcs.

Electrical connection - plug C

Connector: 1 x M12; coding: A; Moulded body: PA, orange; Locking: brass, nickel-plated; Contacts: gold-plated; Tightening torque: 0.6...1.5 Nm



Connection



Electrical connection - Socket A/B

Connector: 2 x M12; coding: A; Moulded body: PA, orange; Locking: brass, nickel-plated; sealing: FKM; Contacts: gold-plated; Tightening torque: 0.6...1.5 Nm

