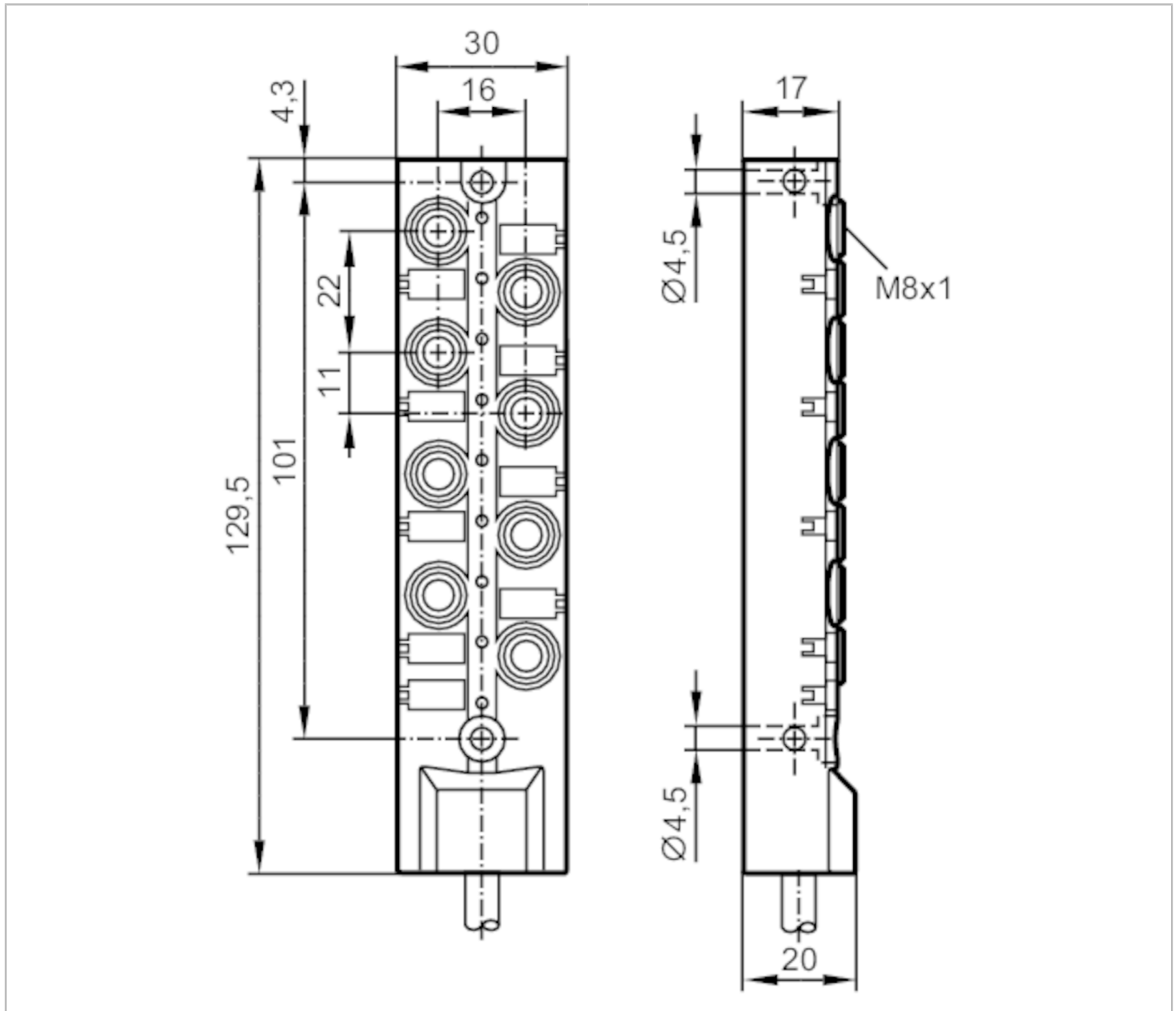


# EBC064



## Wiring block

ZDO8F039MSJ0005H10



Application	
System	Halogen-free; gold-plated contacts; Drag chain suitability
Electrical data	
Operating voltage [V]	10...30 DC; (cULus - Class 2 source required)
Protection class	III
Max. current load per module/slot [A]	2
Max. current load total [A]	6
Outputs	
Electrical design	NPN
Operating conditions	
Ambient temperature [°C]	-25...80

# EBC064



## Wiring block

ZDO8F039MSJ0005H10

Ambient temperature (moving) [°C]	-5...60
Protection	IP 65; IP 67; IP 68

### Mechanical data

Weight [g]	516	
Housing	rectangular	
Type of mounting	Backplane mounting	
Dimensions [mm]	129.5 x 30 x 20	
Material	housing: PBT-GF20	
Material nut	brass, nickel-plated	
Number of ports splitter box	8	
Connector type	M8	
Drag chain suitability	yes	
Drag chain suitability	Bending radius for flexible applications	min. 10 x cable diameter
	Travel speed	max. 3.3 m/s for a horizontal travel length of 5 m and max. acceleration of 5 m/s <sup>2</sup>
	Bending cycles	> 5 Mio.
	Torsional strain	± 180 °/m

### Displays / operating elements

Display	Switching status	8 x LED, yellow
	Power	1 x LED, green

### Accessories

Accessories (optional)	DIN rail adapter: E73007 Protective cap: M8, E73005
------------------------	--

### Remarks

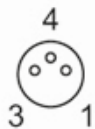
Pack quantity	1 pcs.
---------------	--------

### Electrical connection

Cable: 5 m, PUR, Halogen-free, black, Ø 9.1 mm; 8 x 0.34 mm<sup>2</sup> (42 x Ø 0.1 mm ) + 2 x 0.75 mm<sup>2</sup> (96 x Ø 0.1 mm )

### Electrical connection - slot

Connector: 8 x M8; coding: A; Locking: brass, nickel-plated; Contacts: gold-plated



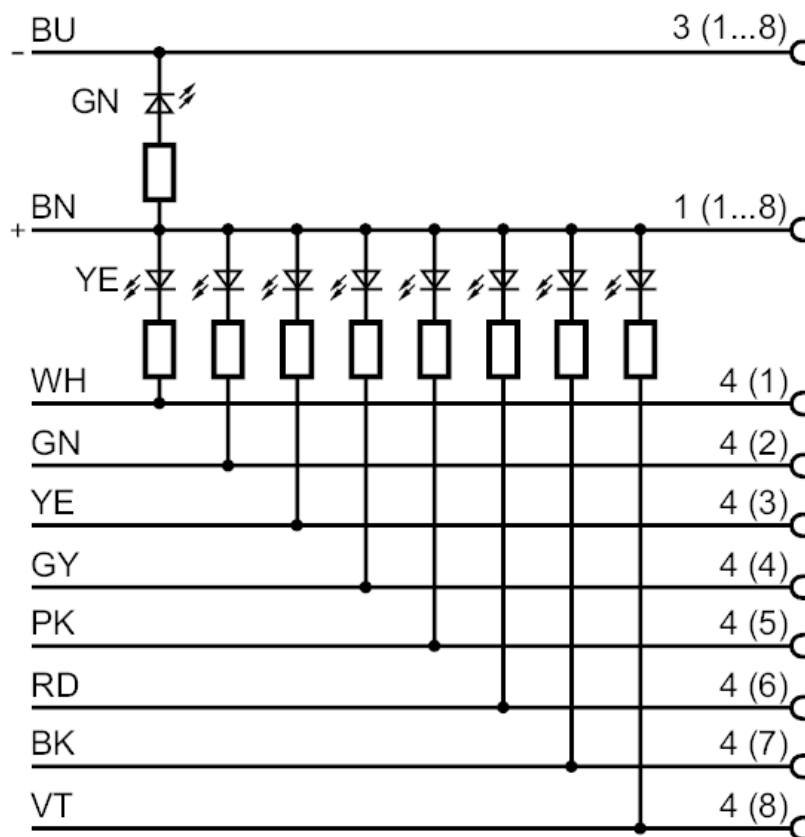
# EBC064



## Wiring block

ZDO8F039MSJ0005H10

### Connection



	Core colors :
BK =	black
BN =	brown
BU =	blue
GN =	green
GY =	grey
PK =	pink
RD =	red
VT =	lilac
WH =	white
YE =	yellow