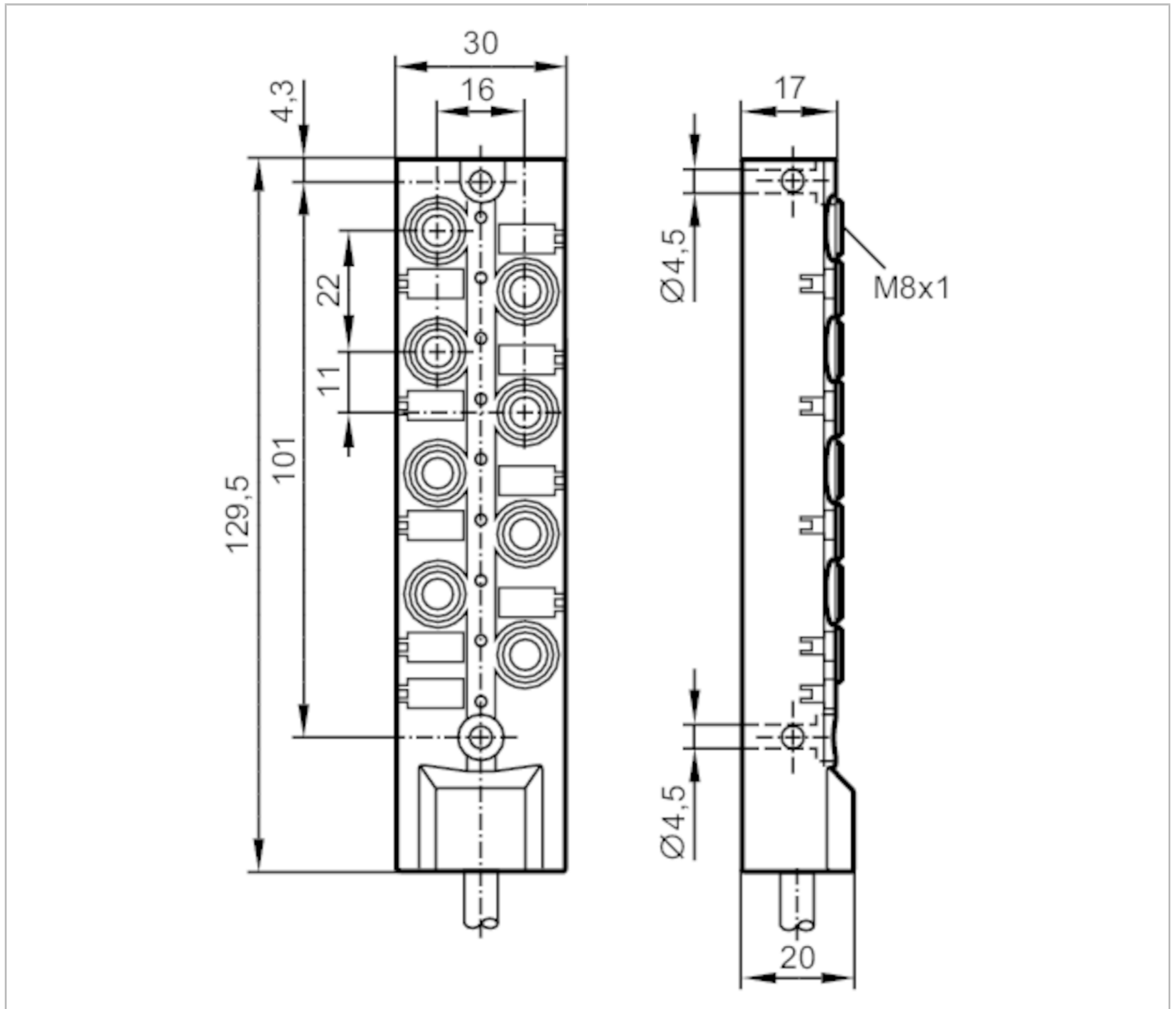


# EBC055



## Wiring block

ZDO8F039MSS0010H10



Application	
System	Halogen-free; gold-plated contacts; Drag chain suitability
Electrical data	
Operating voltage [V]	10...30 DC; (cULus - Class 2 source required)
Protection class	III
Max. current load per module/slot [A]	2
Max. current load total [A]	6
Outputs	
Electrical design	PNP
Operating conditions	
Ambient temperature [°C]	-25...80

# EBC055



## Wiring block

ZDO8F039MSS0010H10

Ambient temperature (moving)	[°C]	-5...60
Protection		IP 65; IP 67; IP 68

### Mechanical data

Weight	[g]	879
Housing		rectangular
Type of mounting		Backplane mounting
Dimensions	[mm]	129.5 x 30 x 20
Material		housing: PBT-GF20
Material nut		brass, nickel-plated
Number of ports splitter box		8
Connector type		M8
Drag chain suitability		yes
Drag chain suitability	Bending radius for flexible applications	min. 10 x cable diameter
	Travel speed	max. 3.3 m/s for a horizontal travel length of 5 m and max. acceleration of 5 m/s <sup>2</sup>
	Bending cycles	> 5 Mio.
	Torsional strain	± 180 °/m

### Displays / operating elements

Display	Switching status	8 x LED, yellow
	Power	1 x LED, green

### Accessories

Accessories (optional)	DIN rail adapter:, E73007
	Protective cap: M8, E73005

### Remarks

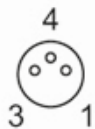
Pack quantity	1 pcs.
---------------	--------

### Electrical connection

Cable: 10 m, PUR, Halogen-free, black, Ø 9.1 mm; 8 x 0.34 mm<sup>2</sup> (43 x Ø 0.1 mm ) + 2 x 0.75 mm<sup>2</sup> (21 x Ø 0.2 mm )

### Electrical connection - slot

Connector: 8 x M8; coding: A; Locking: brass, nickel-plated; Contacts: gold-plated



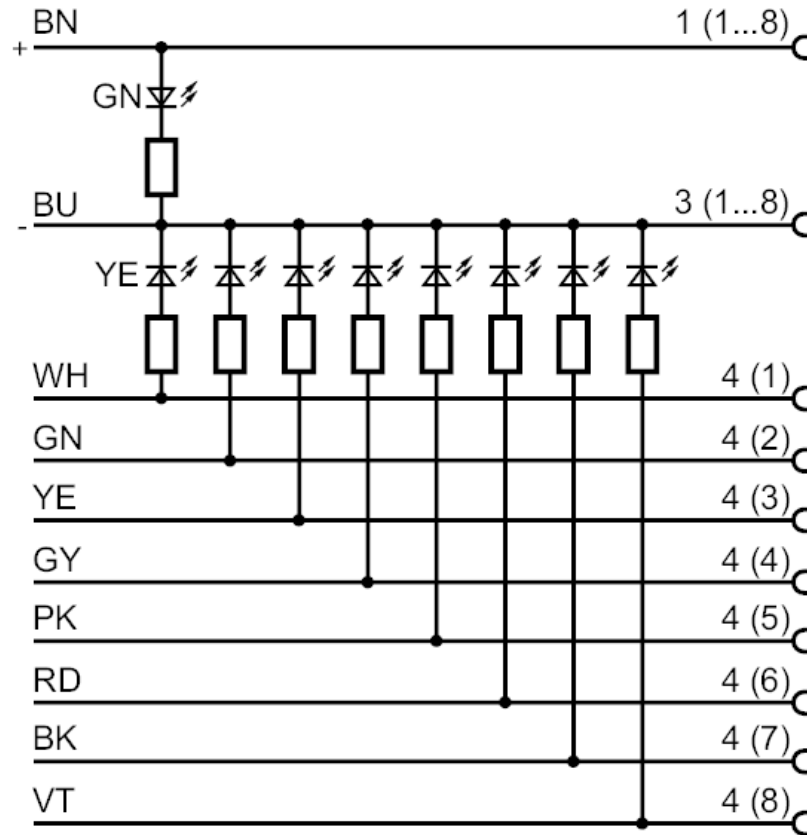
# EBC055



## Wiring block

ZDO8F039MSS0010H10

### Connection



	Core colors :
BK =	black
BN =	brown
BU =	blue
GN =	green
GY =	grey
PK =	pink
RD =	red
VT =	lilac
WH =	white
YE =	yellow