

EBC047



Wiring block

ZDO8H059MSS0015H11

Operating conditions		
Ambient temperature	[°C]	-25...80
Ambient temperature (moving)	[°C]	-5...60
Protection		IP 67; IP 68
Mechanical data		
Weight	[g]	1671
Housing		rectangular
Type of mounting		Backplane mounting
Dimensions	[mm]	127 x 54 x 22
Material		housing: PA
Material nut		brass, nickel-plated
Number of ports splitter box		8
Connector type		M12
Drag chain suitability		yes
Drag chain suitability	Bending radius for flexible applications	min. 10 x cable diameter
	Bending radius for fixed installation	min. 5 x cable diameter
	Travel speed	max. 3 m/s at 5 m horizontal travel length and max. acceleration of 5 m/s ²
	Torsional strain	± 30 °/m
	Bending cycles	> 2 Mio.
Displays / operating elements		
Display	Switching status	8 x LED, yellow
	Power	1 x LED, green
Accessories		
Items supplied		Protective caps: 2 labels: 8
Remarks		
Pack quantity		1 pcs.
Electrical connection		
Cable: 15 m, PUR, Halogen-free, black, Ø 8.2 mm; 8 x 0.34 mm ² (43 x Ø 0.1 mm) + 3 x 0.75 mm ² (95 x Ø 0.1 mm)		
Electrical connection - slot		
Connector: 8 x M12; coding: A; Locking: brass, nickel-plated; Contacts: gold-plated; Tightening torque: 0.8...1.5 Nm		

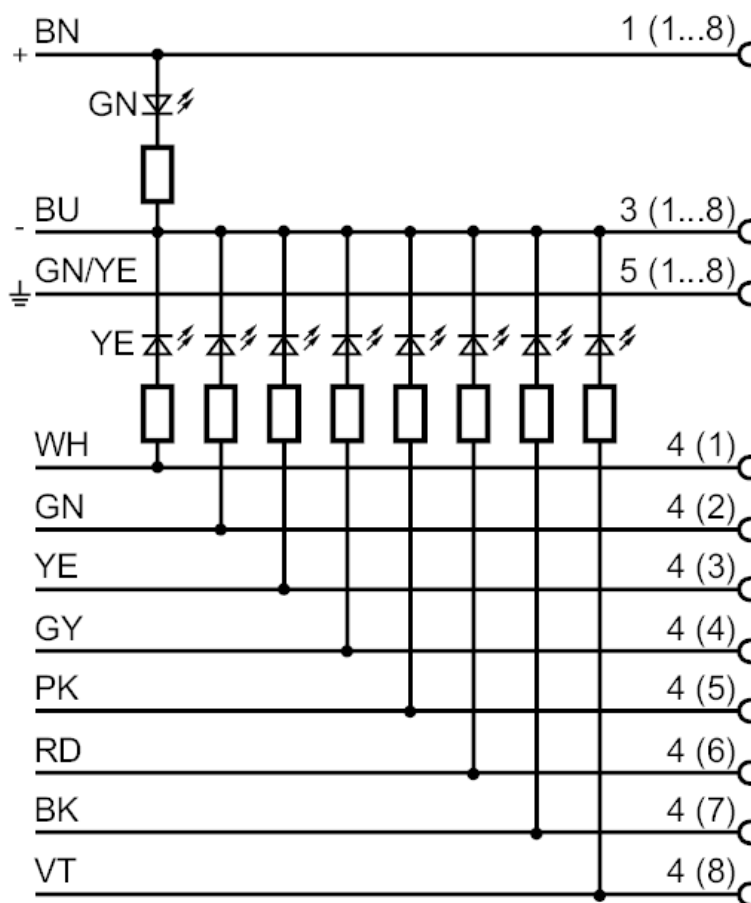
EBC047



Wiring block

ZDO8H059MSS0015H11

Connection



	Core colors :
BK =	black
BN =	brown
BU =	blue
GN =	green
GN/YE =	green/yellow
GY =	grey
PK =	pink
RD =	red
VT =	lilac
WH =	white
YE =	yellow