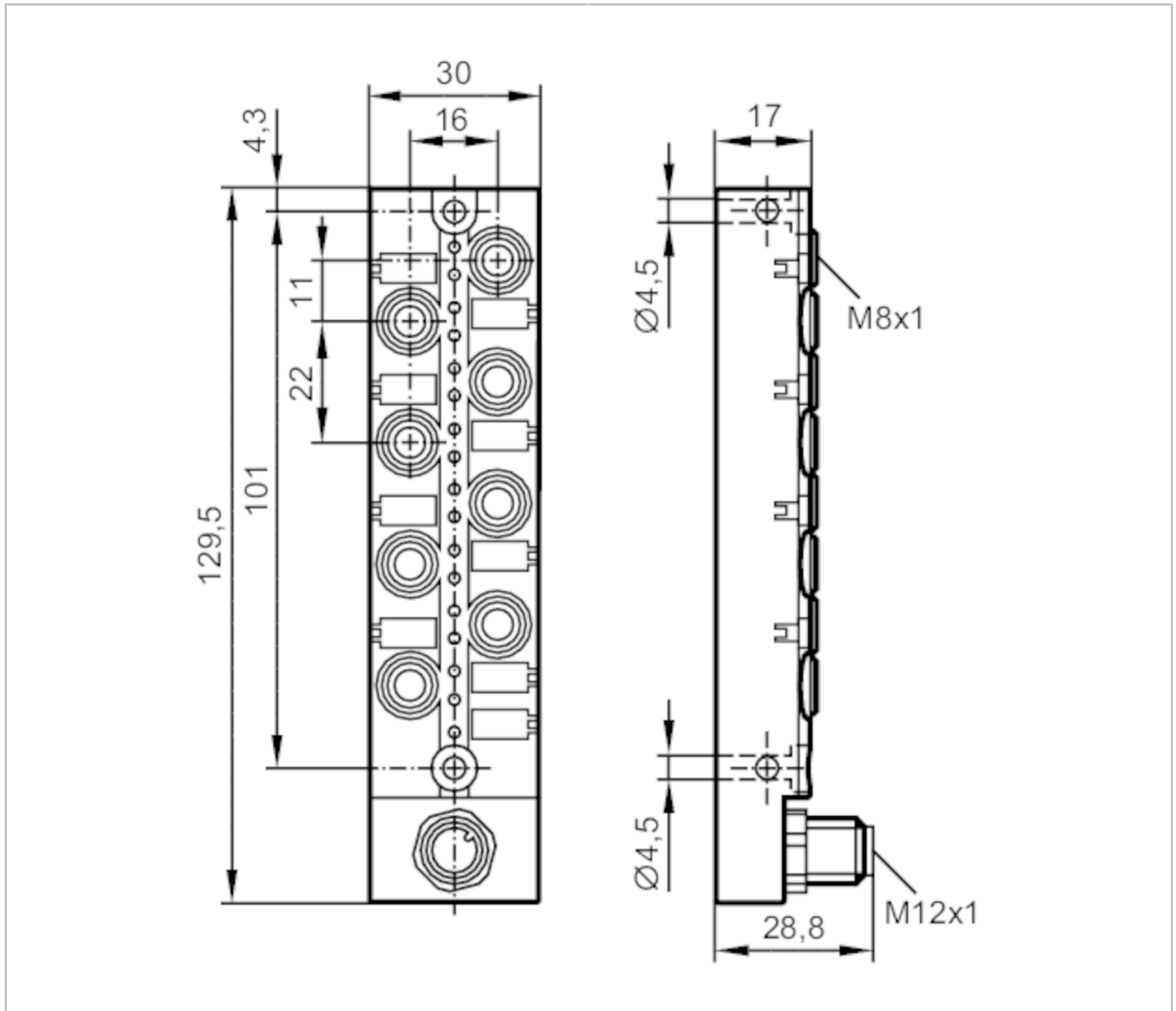


# EBC045



## Wiring block

ZDO8F039MSS0000-STGH120MSS



Application	
System	gold-plated contacts
Electrical data	
Operating voltage [V]	15...30 DC
Protection class	III
Max. current load per module/slot [A]	1
Max. current load total [A]	1
Outputs	
Electrical design	PNP
Operating conditions	
Ambient temperature [°C]	-25...80

# EBC045



## Wiring block

ZDO8F039MSS0000-STGH120MSS

Ambient temperature (moving) [°C]	-5...60
Protection	IP 67

### Mechanical data

Weight [g]	125
Housing	rectangular
Type of mounting	Backplane mounting
Dimensions [mm]	129.5 x 30 x 28.8
Material	housing: PBT-GF20
Material nut	brass, nickel-plated
Number of ports splitter box	8
Connector type	M8

### Displays / operating elements

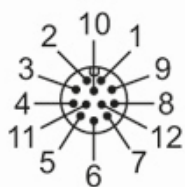
Display	Switching status	8 x LED, yellow
	Power	1 x LED, green

### Remarks

Pack quantity	1 pcs.
---------------	--------

### Electrical connection - Connection

Connector: 1 x M12; Locking: brass, nickel-plated; Contacts: gold-plated; Tightening torque: 0.8...1.5 Nm



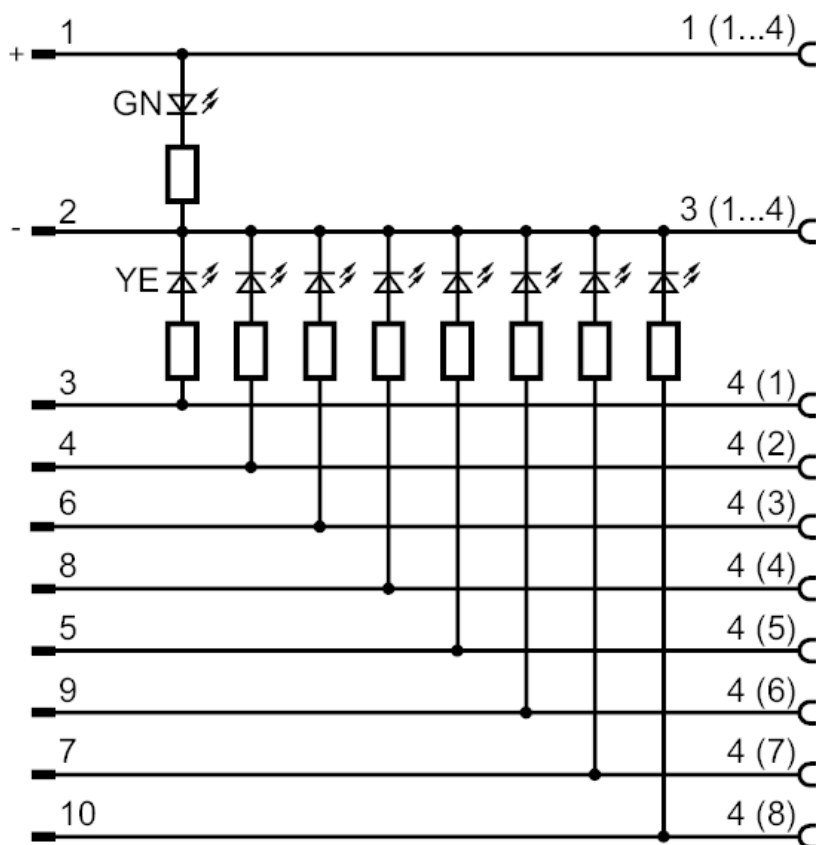
# EBC045



## Wiring block

ZDO8F039MSS0000-STGH120MSS

### Connection



### Electrical connection - slot

Connector: 8 x M8; coding: A; Locking: brass, nickel-plated; Contacts: gold-plated; Tightening torque: 0.8...1.5 Nm

