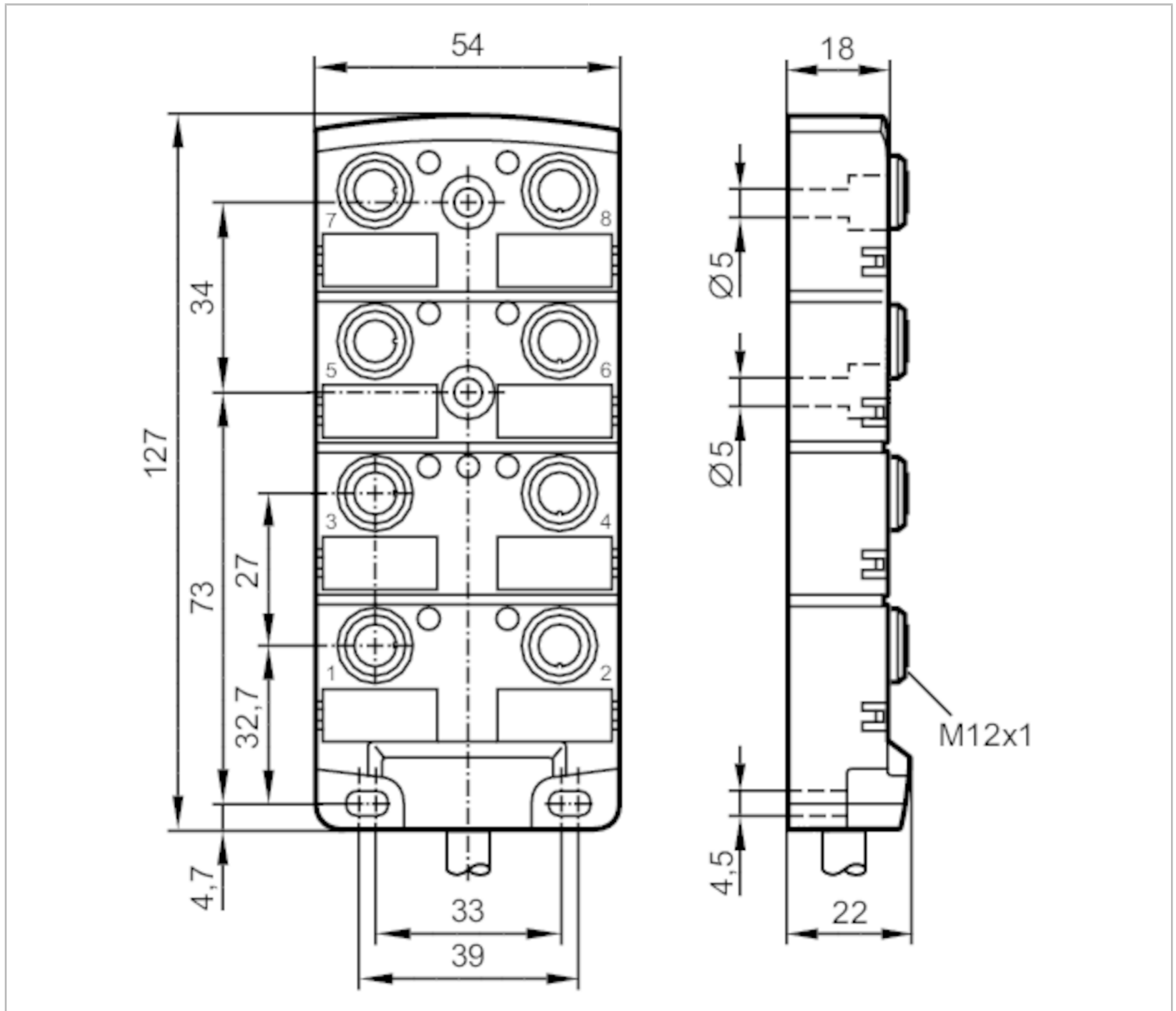


EBC039



Wiring block

ZDO8H059MSS0025H11



| Application | |
|---------------------------------------|--|
| System | Free from silicone; Halogen-free; gold-plated contacts; Drag chain suitability |
| Free from silicone | yes |
| Electrical data | |
| Operating voltage [V] | 10...30 DC; (cULus - Class 2 source required) |
| Protection class | II |
| Max. current load per module/slot [A] | 4 |
| Max. current load total [A] | 12 |
| Outputs | |
| Electrical design | PNP |

EBC039



Wiring block

ZDO8H059MSS0025H11

| Operating conditions | | |
|--|--|--|
| Ambient temperature | [°C] | -25...80 |
| Ambient temperature (moving) | [°C] | -5...60 |
| Protection | | IP 67; IP 68 |
| Mechanical data | | |
| Weight | [g] | 2631.5 |
| Housing | | rectangular |
| Type of mounting | | Backplane mounting |
| Dimensions | [mm] | 127 x 54 x 22 |
| Material | | housing: PA |
| Material nut | | brass, nickel-plated |
| Number of ports splitter box | | 8 |
| Connector type | | M12 |
| Drag chain suitability | | yes |
| Drag chain suitability | Bending radius for flexible applications | min. 10 x cable diameter |
| | Bending radius for fixed installation | min. 5 x cable diameter |
| | Travel speed | max. 3 m/s at 5 m horizontal travel length and max. acceleration of 5 m/s ² |
| | Torsional strain | ± 30 °/m |
| | Bending cycles | > 2 Mio. |
| Displays / operating elements | | |
| Display | Switching status | 8 x LED, yellow |
| | Power | 1 x LED, green |
| Accessories | | |
| Items supplied | | Protective caps: 2 labels: 8 |
| Remarks | | |
| Pack quantity | | 1 pcs. |
| Electrical connection | | |
| Cable: 25 m, PUR, Halogen-free, black, Ø 8.2 mm; 8 x 0.34 mm ² (43 x Ø 0.1 mm) + 3 x 0.75 mm ² (95 x Ø 0.1 mm) | | |
| Electrical connection - slot | | |
| Connector: 8 x M12; coding: A; Locking: brass, nickel-plated; Contacts: gold-plated; Tightening torque: 0.8...1.5 Nm | | |

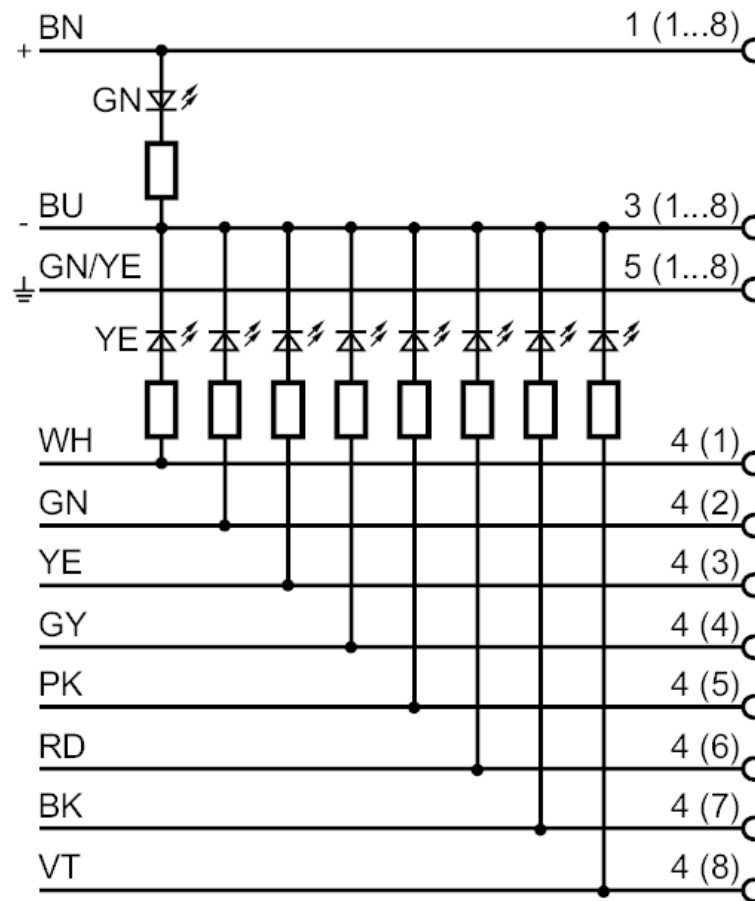
EBC039



Wiring block

ZDO8H059MSS0025H11

Connection



| | Core colors : |
|---------|---------------|
| BK = | black |
| BN = | brown |
| BU = | blue |
| GN = | green |
| GN/YE = | green/yellow |
| GY = | grey |
| PK = | pink |
| RD = | red |
| VT = | lilac |
| WH = | white |
| YE = | yellow |