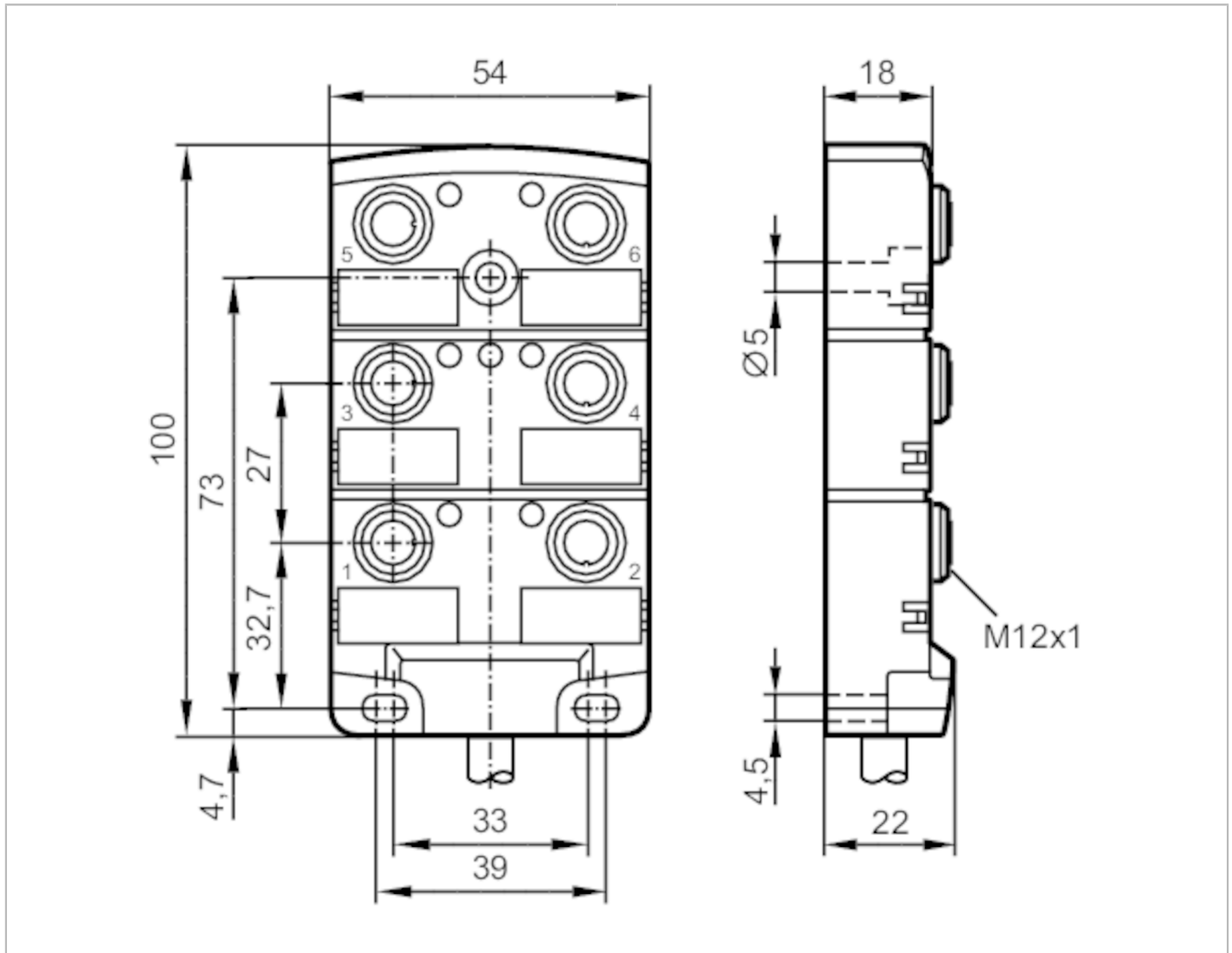


EBC019



Wiring block

ZDO6H057MSS0005H09



Application	
System	Free from silicone; Halogen-free; gold-plated contacts; Drag chain suitability
Free from silicone	yes
Electrical data	
Operating voltage [V]	10...30 DC; (cULus - Class 2 source required)
Protection class	II
Max. current load per module/slot [A]	4
Max. current load total [A]	12
Outputs	
Electrical design	PNP
Operating conditions	
Ambient temperature [°C]	-25...80
Ambient temperature (moving) [°C]	-5...60

EBC019



Wiring block

ZDO6H057MSS0005H09

Protection	IP 67; IP 68	
Tests / approvals		
UL approval	Enclosure type	Type 1
Mechanical data		
Weight [g]	530.6	
Housing	rectangular	
Type of mounting	Backplane mounting	
Dimensions [mm]	100 x 54 x 22	
Material	housing: PA	
Material nut	brass, nickel-plated	
Number of ports splitter box	6	
Connector type	M12	
Drag chain suitability	yes	
Drag chain suitability	Bending radius for flexible applications	min. 10 x cable diameter
	Bending cycles	> 2 Mio.
Displays / operating elements		
Display	Switching status	6 x LED, yellow
	Power	1 x LED, green
Accessories		
Items supplied	Protective caps: 2 labels: 6	
Remarks		
Pack quantity	1 pcs.	
Electrical connection		
Cable: 5 m, PUR, Halogen-free, black, Ø 7.8 mm; 6 x 0.34 mm ² (43 x Ø 0.1 mm) + 3 x 1 mm ² (55 x Ø 0.15 mm)		
Electrical connection - slot		
Connector: 6 x M12; coding: A; Locking: brass, nickel-plated; Contacts: gold-plated; Tightening torque: 0.8...1.5 Nm		

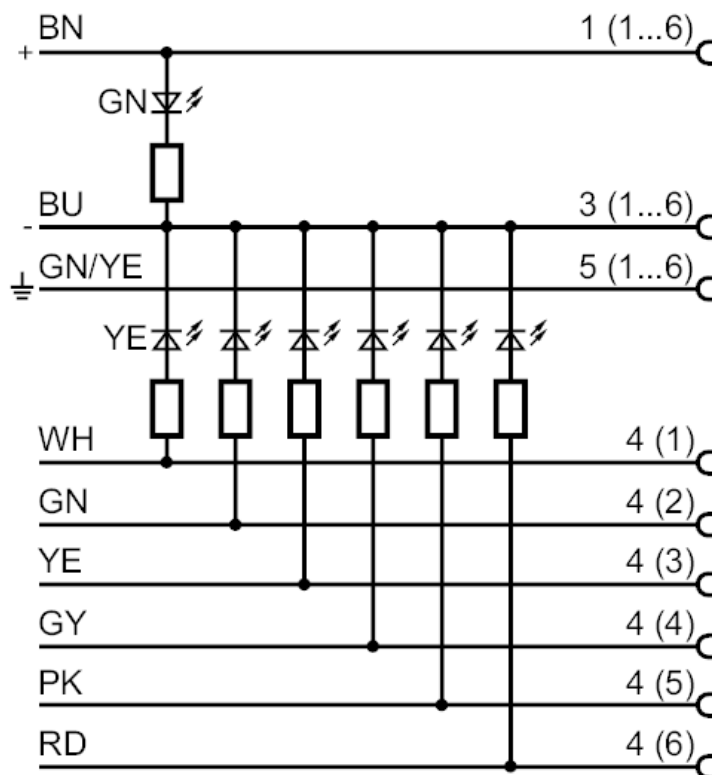
EBC019



Wiring block

ZDO6H057MSS0005H09

Connection



	Core colors :
BN =	brown
BU =	blue
GN =	green
GN/YE =	green/yellow
GY =	grey
PK =	pink
RD =	red
WH =	white
YE =	yellow