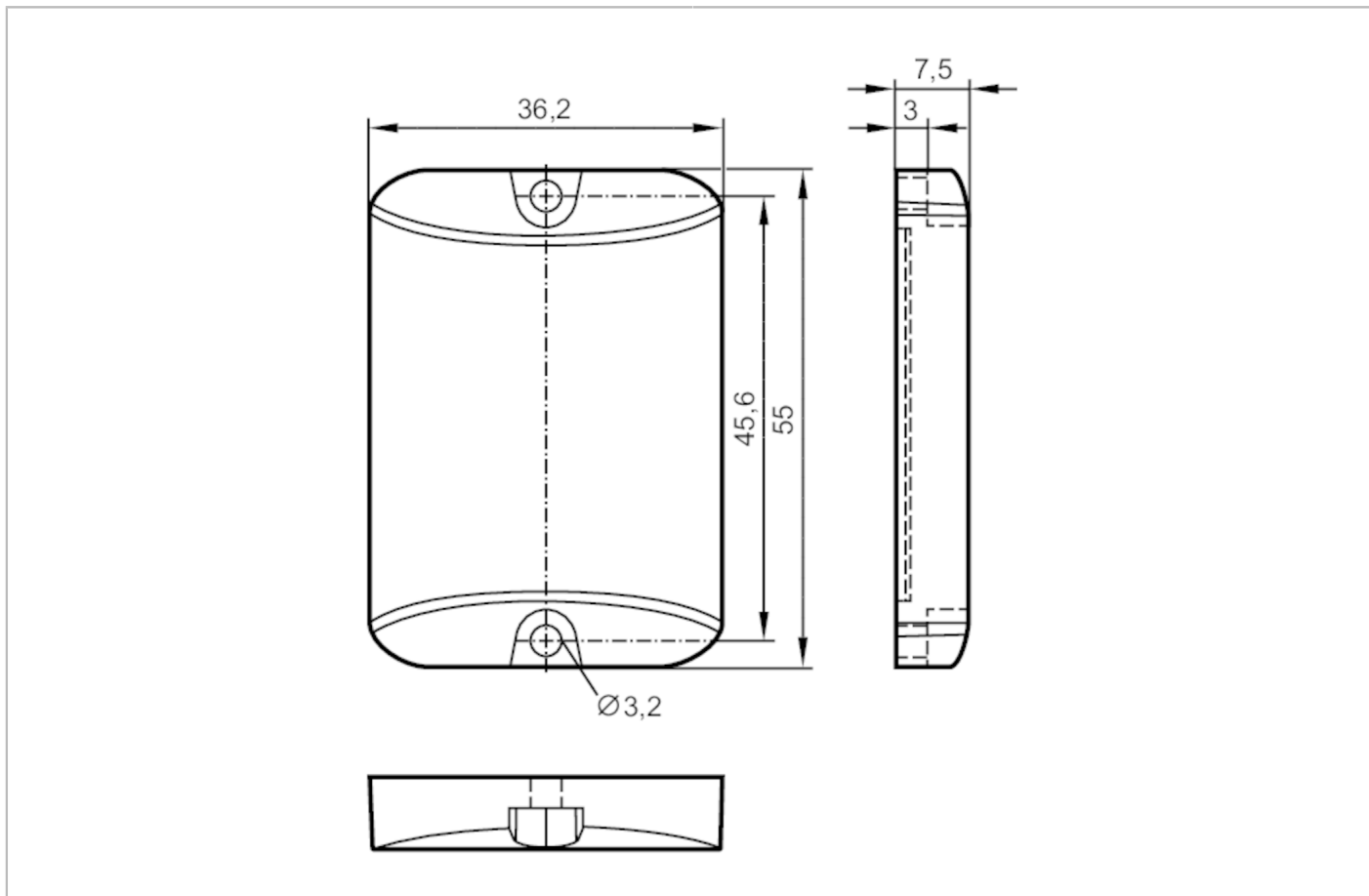


E80417



RFID tag

ID-TAG/51x37x7,5



| Application | |
|-------------------------------------|------------------------------------|
| Application | RFID coding of metal tanks |
| Operating temperature (active) [°C] | -40...85 |
| Peak temperature (passive) [°C] | 250; (duration of test: 1 x 500 h) |
| Electrical data | |
| Operating frequency [MHz] | 866...928 |
| Memory size [bit] | 512 |
| Memory type | EEPROM |
| Chip type | Higgs 9 |
| Tag identifier (TID) [Byte] | 64 |
| Electronic product code (EPC) | 96 bit |
| RFID standard | EPC Class1 GEN2/ISO 18000-6C |
| Max. read cycles | unlimited |
| Max. write cycles | 100000 |
| Operating conditions | |
| Ambient temperature [°C] | -40...85 |
| Storage temperature [°C] | -40...250 |
| Protection | IP 69K |

E80417



RFID tag

ID-TAG/51x37x7,5

| Mechanical data | |
|------------------|---------------------|
| Weight [g] | 144.5 |
| Type of mounting | panel/surf. |
| Dimensions [mm] | 55 x 36.2 x 7.5 |
| Material | housing: Nylon / PP |

| Remarks | |
|---------------|--------|
| Pack quantity | 5 pcs. |

| Other data | |
|--------------------------|-----|
| read distance (m) | |
| DTE80x | 1.1 |
| DTE90x | - |
| ANT860 / ANT960 | 4.8 |
| ANT820 / ANT920 | 2 |