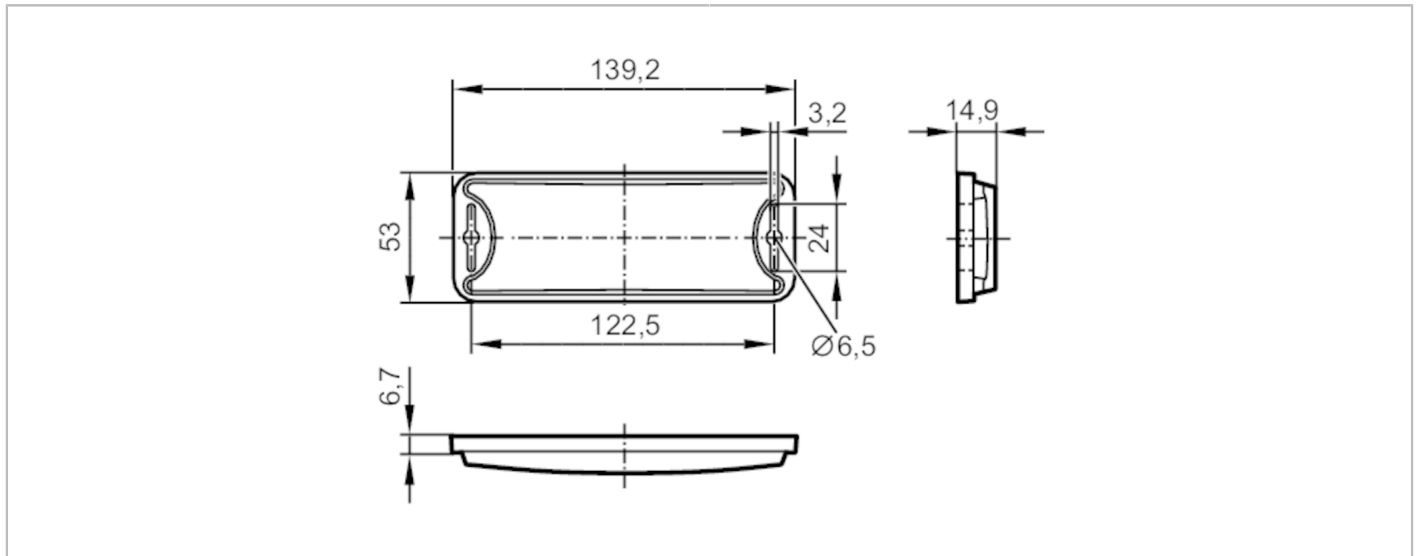


# E80393



## RFID tag

ID-TAG/139 x 53 x 15/04



Application	
Application	RFID coding of metal tanks
Operating temperature (active) [°C]	-40...85
Peak temperature (passive) [°C]	85
Electrical data	
Operating frequency [MHz]	860...930
Memory size [bit]	512
Memory type	EEPROM
Chip type	Impinj Monza 4QT
Tag identifier (TID) [Byte]	64
Electronic product code (EPC)	96 bit; (extendable: 128 bit)
RFID standard	EPC Class1 GEN2/ISO 18000-6C
Max. read cycles	unlimited
Max. write cycles	100000
Operating conditions	
Ambient temperature [°C]	-40...85
Storage temperature [°C]	-40...100
Protection	IP 68
Mechanical data	
Weight [g]	71.6
Dimensions [mm]	53 x 139.2 x 14.9
Material	housing: polycarbonate-ABS
Remarks	
Pack quantity	1 pcs.

# E80393



## RFID tag

ID-TAG/139 x 53 x 15/04

### Other data

read distance (m)	
DTE80x	2
DTE90x	1.9
ANT860 / ANT960	5
ANT820 / ANT920	2