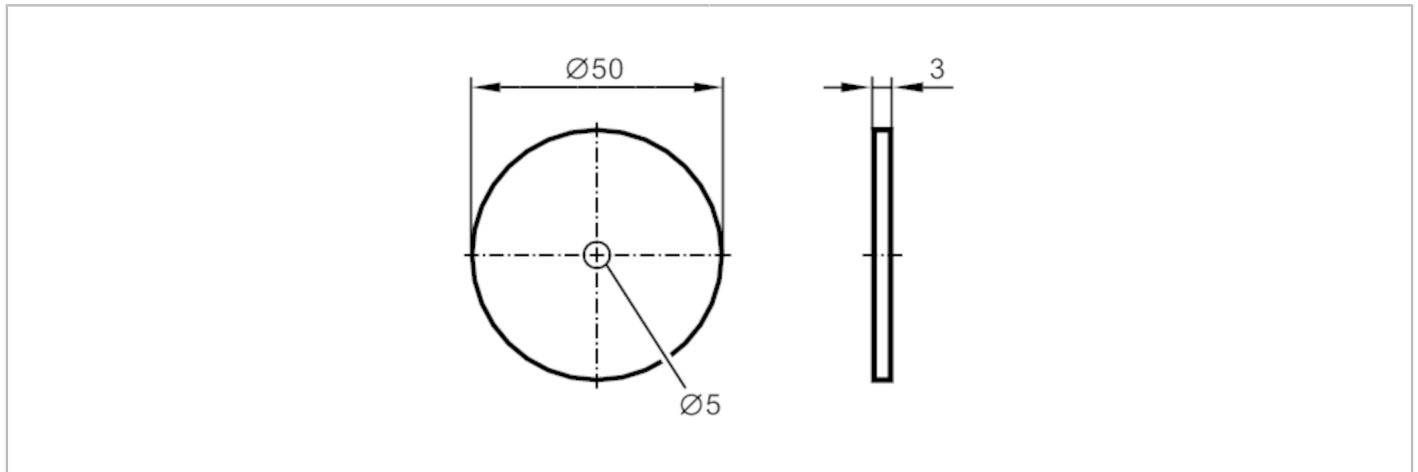


E80384



RFID tag

ID-TAG/D50x3,0/0 2528 bit



| Application | | |
|------------------------------------|-----------------|--|
| Operating temperature (active) | [°C] | -40...85 |
| Peak temperature (passive) | [°C] | 90 |
| Electrical data | | |
| Operating frequency | [MHz] | 13,56 |
| Memory size | [bit] | 1024 |
| Memory type | | EEPROM |
| Chip type | | ICODE SLIX |
| Number of the blocks | | 28 |
| Block size | [Byte] | 4 |
| Unique Identification Number (UID) | [Byte] | 8 |
| RFID standard | | ISO 15693 |
| Max. read cycles | | unlimited |
| Max. write cycles | | 100000 |
| Operating conditions | | |
| Ambient temperature | [°C] | -40...85 |
| Storage temperature | [°C] | -40...90 |
| Protection | | IP 68; IP 69K |
| Tests / approvals | | |
| Shock resistance | DIN IEC 68-2-27 | 40 g 18 ms |
| Vibration resistance | DIN IEC 68-2-6 | 10 g 10...2000 Hz |
| Radio approval | | ISO 15693 |
| Mechanical data | | |
| Weight | [g] | 11.55 |
| Type of mounting | | installation on non-metal materials; (screw fastening ; sticking to a surface) |
| Dimensions | [mm] | Ø 50 / L = 3 |
| Material | | PPA black |

E80384



RFID tag

ID-TAG/D50x3,0/0 2528 bit

Remarks

| | |
|---------------|--------|
| Pack quantity | 1 pcs. |
|---------------|--------|

Other data

| Reading distance when mounted on non-metal (mm) | |
|---|-----|
| ANT410 / DTI410 | 15 |
| ANT411 / DTI411 | 25 |
| ANT420 / DTI420 / DTM424 / DTI424 / DTM426 | 15 |
| ANT421 / DTI421 / DTM425 / DTI425 / DTM427 | 50 |
| ANT430 / DTI430 / DTM434 / DTI434 / DTM436 | 35 |
| ANT431 / DTI431 / DTM435 / DTI435 / DTM437 | 65 |
| ANT513 / DTI513 / DTC510 | 90 |
| ANT515 / DTI515 / ANT516 / DTI516 | 50 |
| ANT600 / DTI600 | 190 |