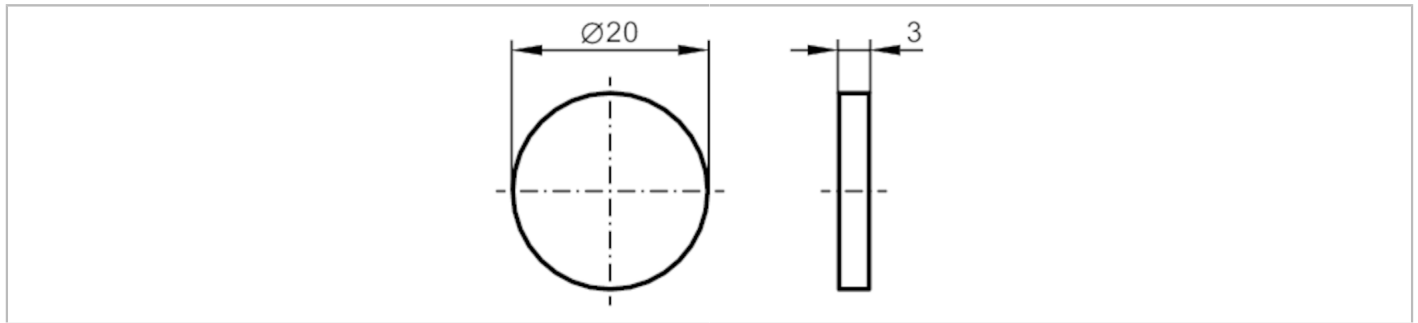


# E80349



## RFID tag

ID-TAG/20X3/06-16KBit



Application		
Application	Coding of workpiece carriers in routing conveyors	
Operating temperature (active) [°C]	-25...85	
Peak temperature (passive) [°C]	85	
Electrical data		
Operating frequency [MHz]	13,56	
Memory size [bit]	16000	
Memory type	FRAM	
Chip type	MB89R118C	
Number of the blocks	250	
Block size [Byte]	8	
Unique Identification Number (UID) [Byte]	8	
RFID standard	ISO 15693	
Max. read cycles	unlimited	
Max. write cycles	unlimited	
Operating conditions		
Ambient temperature [°C]	-25...85	
Storage temperature [°C]	-40...85	
Protection	IP 68	
Tests / approvals		
Shock resistance	DIN IEC 68-2-27	40 g 18 ms
Vibration resistance	DIN IEC 68-2-6	10 g 10...2000 Hz
Mechanical data		
Weight [g]	9.3	
Dimensions [mm]	Ø 20 / L = 3	
Material	PPA	
Remarks		
Pack quantity	5 pcs.	

# E80349



## RFID tag

ID-TAG/20X3/06-16KBit

### Other data

#### Reading distance when mounted on non-metal (mm)

ANT410 / DTI410	10
ANT411 / DTI411	15
ANT420 / DTI420 / DTM424 / DTI424 / DTM426	10
ANT421 / DTI421 / DTM425 / DTI425 / DTM427	30
ANT430 / DTI430 / DTM434 / DTI434 / DTM436	25
ANT431 / DTI431 / DTM435 / DTI435 / DTM437	35
ANT513 / DTI513 / DTC510	50
ANT515 / DTI515 / ANT516 / DTI516	25
ANT600 / DTI600	-