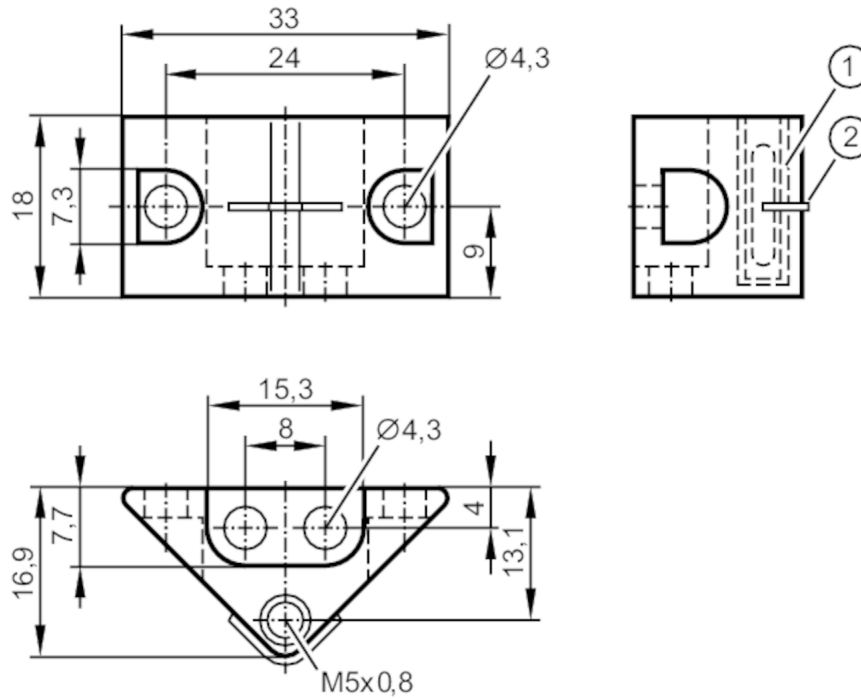


E80348



RFID tag

ID-TAG/TRIANGLE HOUSING/06



- 1 ID tag
- 2 tag position mark middle of the antenna



Application	
Application	Coding of workpiece carriers in routing conveyors
Operating temperature (active) [°C]	-25...85
Peak temperature (passive) [°C]	90
Electrical data	
Operating frequency [MHz]	13,56
Memory size [bit]	896
Memory type	EEPROM
Chip type	Vigo
Number of the blocks	28
Block size [Byte]	4
Unique Identification Number (UID) [Byte]	8
RFID standard	ISO 15693
Max. read cycles	unlimited
Max. write cycles	100000
Operating conditions	
Ambient temperature [°C]	-25...85
Storage temperature [°C]	-40...90
Protection	IP 67

E80348



RFID tag

ID-TAG/TRIANGLE HOUSING/06

Tests / approvals		
Shock resistance	DIN IEC 68-2-29	30 g 18 ms
Vibration resistance	DIN IEC 68-2-6	6 g 14...200 Hz
Radio approval		ISO 15693
Mechanical data		
Weight [g]		10
Housing		Tag fixture for workpiece carriers
Type of mounting		Installation on metal and non-metal materials; (screw fastening ; sticking to a surface)
Dimensions [mm]		18 x 33 x 16.9
Material		PBT orange; PA black
Accessories		
Items supplied		
Remarks		
Pack quantity		1 pcs.
Other data		
read distance when mounted on metal (mm)		
ANT410 / DTI410		4
ANT411 / DTI411		5
ANT420 / DTI420 / DTM424 / DTI424 / DTM426		-
ANT421 / DTI421 / DTM425 / DTI425 / DTM427		10
ANT430 / DTI430 / DTM434 / DTI434 / DTM436		5
ANT431 / DTI431 / DTM435 / DTI435 / DTM437		15
ANT513 / DTI513 / DTC510		20
ANT515 / DTI515 / ANT516 / DTI516		5
ANT600 / DTI600		15