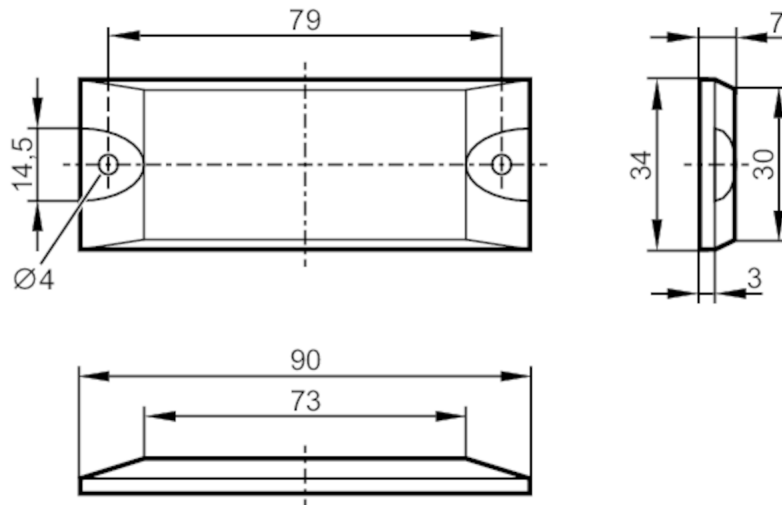


# E80343



## RFID tag

ID-TAG/90X34x7/06



### Application

Operating temperature (active)	[°C]	-25...85
Peak temperature (passive)	[°C]	85

### Electrical data

Operating frequency	[MHz]	13,56
Memory size	[bit]	896
Memory type		EEPROM
Chip type		ICODE SLIX
Number of the blocks		28
Block size	[Byte]	4
Unique Identification Number (UID)	[Byte]	8
RFID standard		ISO 15693
Max. read cycles		unlimited
Max. write cycles		100000

### Operating conditions

Ambient temperature	[°C]	-25...85
Storage temperature	[°C]	-40...85
Protection		IP 68

### Tests / approvals

Shock resistance	DIN IEC 68-2-27	40 g 18 ms
Vibration resistance	DIN IEC 68-2-6	10 g 10...2000 Hz
Radio approval		ISO 15693

### Mechanical data

Weight	[g]	117
Type of mounting		Installation on metal and non-metal materials; (screw fastening ; sticking to a surface ; In case of installation on metal, mount flat side on surface)
Dimensions	[mm]	90 x 34 x 7

# E80343



## RFID tag

ID-TAG/90X34x7/06

Material housing: ABS

### Remarks

Pack quantity 5 pcs.

### Other data

#### Reading distance when mounted on non-metal (mm)

ANT410 / DTI410	-
ANT411 / DTI411	5
ANT420 / DTI420 / DTM424 / DTI424 / DTM426	-
ANT421 / DTI421 / DTM425 / DTI425 / DTM427	20
ANT430 / DTI430 / DTM434 / DTI434 / DTM436	15
ANT431 / DTI431 / DTM435 / DTI435 / DTM437	25
ANT513 / DTI513 / DTC510	50
ANT515 / DTI515 / ANT516 / DTI516	20
ANT600 / DTI600	95

#### read distance when mounted on metal (mm)

ANT410 / DTI410	10
ANT411 / DTI411	15
ANT420 / DTI420 / DTM424 / DTI424 / DTM426	5
ANT421 / DTI421 / DTM425 / DTI425 / DTM427	30
ANT430 / DTI430 / DTM434 / DTI434 / DTM436	25
ANT431 / DTI431 / DTM435 / DTI435 / DTM437	40
ANT513 / DTI513 / DTC510	55
ANT515 / DTI515 / ANT516 / DTI516	25
ANT600 / DTI600	80